



WIRELESS G VDSL2 MODEM ROUTER

HIGH-SPEED WIRELESS INTERNET

Built-in VDSL2 modem with up to 100Mbps downstream, 100Mbps upstream speed & 802.11g WLAN with up to 54Mbps wireless speed.

EXTENDED SECURITY PROTECTION

Extensive list of firewall features including SPI and DoS for firewall protection against Internet attacks

QUALITY OF SERVICE (QoS)

Multiple DiffServ priority queues for smooth VoIP traffic and streaming of

ULTIMATE INTERNET CONNECTION

The DSL-6641i VDSL2 router is a versatile, high-performance remote router for home and the small office. With integrated VDSL2 supporting up to 100Mbps download speed, firewall protection, Quality of Service (QoS), Ethernet switch ports, this router provides all the functions that a home or small office needs to establish a secure and high-speed remote link to the outside world.

SECURE WIRED AND WIRELESS CONNECTION

The DVA-G6641i provides an integrated 802.11g WLAN supporting wireless speeds of up to 54Mbps, and four Ethernet ports to connect to four computers through the network cables. It provides WEP data encryption and WPA/WPA2 wireless security, Stateful Packet Inspection (SPI) firewall protection, MAC/IP/Port access filtering access, and day/time parental control. Traffic prioritization & classification enable your home to experience smooth VoIP and streaming media without concern of traffic congestion.

FIREWALL PROTECTION & QoS

Security features prevents unauthorized access to the home and office network, be it from the Internet. The router provides firewall security using Stateful Packet Inspection (SPI) and hacker attack logging for Denial of Service (DoS) attack protection. SPI inspects the contents of all incoming packet headers before deciding what packets are allowed to pass through. Router access control is provided with packet filtering based on port and source/destination MAC/IP addresses. For Quality of Service (QoS), the router supports multiple priority queues to enable a group of home or office users to experience the benefit of smooth network connection of inbound and outbound data without concern of traffic congestion. This QoS support allows users to enjoy high VDSL transmission for applications such as VoIP and streaming multimedia over the Internet.

WHAT THIS PRODUCT DOES

This all-in-one DSL-6641i router provides everything from a single box. Connect it to your phone wires, and you can establish a high-speed VDSL2 line using the Internet. It has a built-in 802.11g wireless interface and four LAN ports, so family members can connect to the network wirelessly or through the network cables.

GET HIGH VDSL PERFORMANCE

Ready VDSL2 connection with up to 100Mbps downstream and 100Mbps upstream. Watch TV, listen to live music and broadcast on the Internet, and experience clear Internet phone calls. Now, smooth streaming multimedia and VoIP voice are possible anywhere at home and in the office, without even the need to hook up any network wires.

VDSL Features

- VDSL Transmission Band Plan: ITU-T G.993.2
- VDSL Duplex Method: Frequency Division Duplexing, FDD for both DS/US
- VDSL Line-code Scheme: Multi-Carrier Modulation (MCM)
- 6-band Operation meet ITU-T G.993.2, including U0, DS1, US1, DS2, US2, band from 25 kHz to 30 MHz
- VDSL Handshake Procedure: ITU-T G.994.1 compliant
- VDSL Physical-layer supports "Packet Transport Mode (PTM)"
- Supports Rate Adaptation
- Supports VDSL Line Sta

DEVICE INTERFACES

- 1 RJ-11 VDSL port (to VDSL line)
- 4 RJ-45 10/100BASE-TX Ethernet LAN ports with auto MDI/MDIX (to computers)
- 1 USB 2.0 port (to printer)
- 802.11g WLAN (AP wireless connection to computers)
- Factory reset button
- Power ON/OFF switch

VDSL FEATURES

- VDSL Transmission Band Plan: ITU-T G.993.2
- VDSL Duplex Method: Frequency Division Duplexing, FDD for both DS/US
- VDSL Line-code Scheme: Multi-Carrier Modulation (MCM)
- 6-band Operation meet ITU-T G.993.2, including U0, DS1, US1, DS2, US2, band from 25 kHz to 30 MHz
- VDSL Handshake Procedure: ITU-T G.994.1 compliant
- VDSL Physical-layer supports "Packet Transport Mode (PTM)"
- Supports Rate Adaptation
- Supports VDSL Line Status
- Performance: 100Mbps downstream, 100Mbps upstream

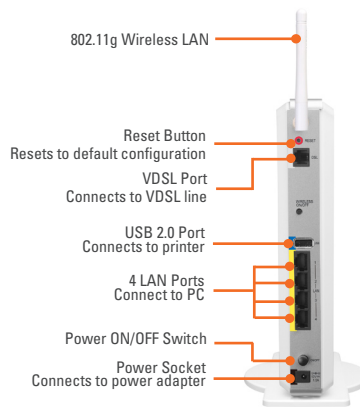
WIRELESS LAN

- 802.11b/g standards
- Wireless speed: up to 54Mbps (802.11g)
- Frequency range: 2.4 GHz to 2.484G Hz
- Antenna: detachable dipole antenna with 2dBi Gain and RP-SMA connector
- 64/128 bits WEP data encryption
- WPA/WPA2 (Wi-Fi Protected Access) security
- Multiple SSID
- 802.11e Wireless QoS (WMM/WME)
- MAC address-based access control

ROUTER

NETWORK PROTOCOLS & FEATURES

- NAT/NAPT (RFC 1631)



TECHNICAL SPECIFICATIONS

- RIP v1 (RFC 1058)
- RIP v2 (RFC 1389)
- Static Routing
- DNS
- TCP/UDP
- ARP/RARP (RFC 826)
- ICMP (RFC 791)
- DHCP Server/Client (RFC 2131)
- IP Multicast - IGMP Proxy/Snooping
- UPnP Compliant
- Virtual Server/Port Forwarding
- DMZ
- SNTP/NTP
- Printer sharing

FIREWALL/ACCESS SECURITY

- Built-in NAT firewall
- MAC Filtering
- Packet Filtering
- URL Content Filtering (keyword filtering)
- Stateful Packet Inspection (SPI)
- Denial of Service prevention (DoS)
- Intrusion Detection System/Log
- User Authentication PAP
- User Authentication CHAP
- DMZ

VIRTUAL PRIVATE NETWORK (VPN)

- PPTP/L2TP/IPSec pass-through

QoS

- Traffic Prioritization/Classification:
- Port-based priority
- 802.1p (0-7) priority
- Diffserv-Codepoint IPQoS (TOS, 0-63)
- Source/Destination IP/port-based priority
- Application port-based priority
- User-defined priority (TCP/UDP/ICMP etc.)
- 3 priority queues per PVC
- Traffic Shaping:
- PVC/VLAN port mapping (bridge mode)

CONFIGURATION/MANAGEMENT

- Quick Installation Wizard
- Web-based GUI for remote/local management
- Firmware upgrade, configuration data upload/download via Web-based GUI
- Telnet for remote/local management
- Syslog monitoring
- SNMP v.1, v.2c support with built-in MIB-I & MIB-II (RFC 1213)
- TR-069

SECURITY/BANDWIDTH MANAGEMENT

- IGMP Snooping v2/v3
- VLAN port mapping

DIAGNOSTIC LEDS

- Power
- LAN
- USB
- VDSL
- Internet

PHYSICAL & ENVIRONMENTAL

POWER INPUT

- Through 12V 2A external power adapter

OPERATING TEMPERATURE

- 0° to 40°C

STORAGE TEMPERATURE

- -20° to 70°C

OPERATING HUMIDITY

- 5% to 95% non-condensing

CERTIFICATION CHECK

- CE
- A-Tick