

# **D-Link** **Quick Installation Guide**

**DAS-3 Series** Rev.C

ADSL IP DSLAM

## **Before You Begin**

This Quick Installation Guide gives step-by-step instructions for setting up the D-Link DAS-3 Series ADSL IP DSLAM. This Quick Installation Guide only introduces you for the main setup procedure. For more detailed information about complete installation and configuration, please refer to the User's Manual on master CD included with your DLSAM.

## **Check Your Package Contents**



◆ **D-Link DAS-3 Series ADSL IP DSLAM**

◆ **CD-ROM (containing Manual and LCT)**



◆ **Ethernet Cable (CAT5e UTP Straight-Through)**



◆ **AC Power Cord (only for AC power models)**



◆ **Console Cable**

# 1

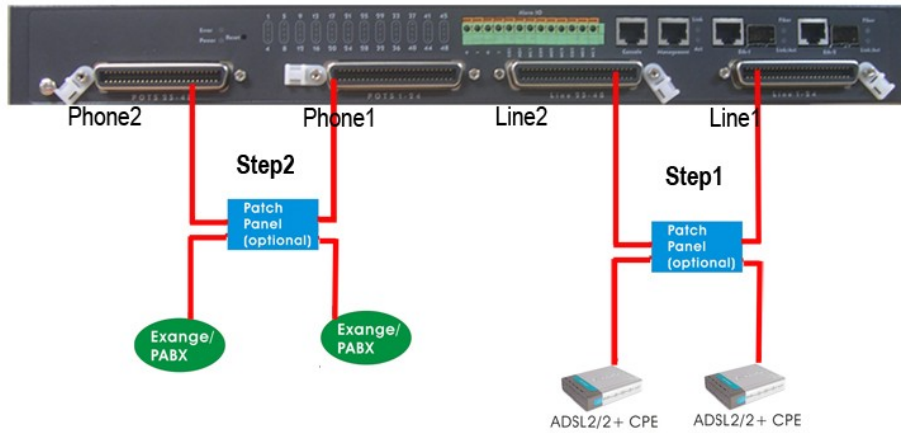
## **Setup the DAS-3 Series ADSL IP DSLAM**

The DAS-3 Series can be installed in a standard 19-inch rack, by using the mounting brackets provided. Mount the shelf on the rack using the large screws.

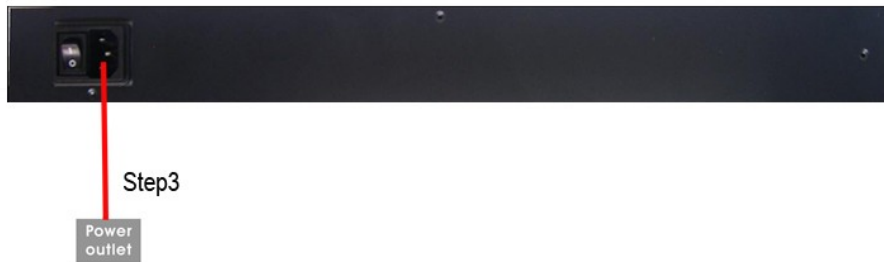
The procedure to connect and wire the system is as follows.

### **Line and POTS Connection**

The following figure shows the front panel connection of DAS-3248:

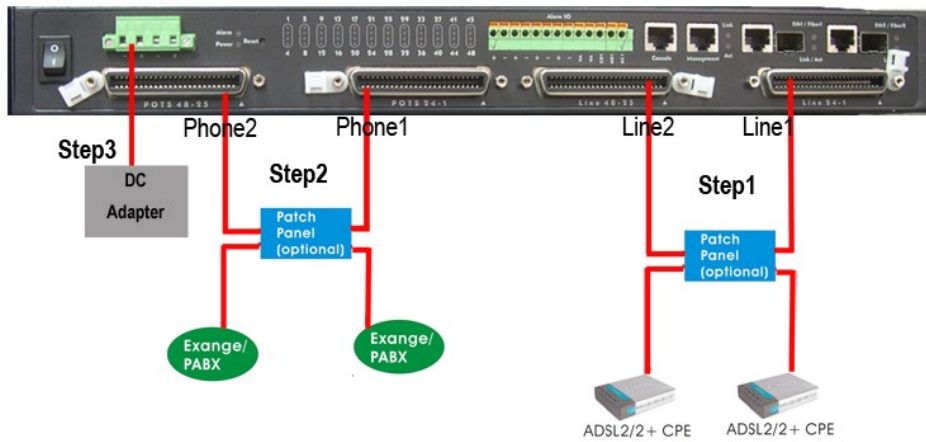


The following figure shows the rear panel connection of DAS-3248:



- Step 1: Connect the ADSL line connector(s), a 50-pin centronic connector, of DAS-3 Series IP DSLAM to CPE's by using telco cable. Each line connector can support up to 24 ports of ADSL/ADSL2/2+ for Data path.
- Step 2: Connect the phone connector(s), a 50-pin centronic connector, of DAS-3 Series IP DSLAM to Exchange/PBX by using telco cable.
- Step 3: Connect to AC power outlet and turn the power switch to "I".

The following figure shows the rear panel connection of DAS-3248/DC:

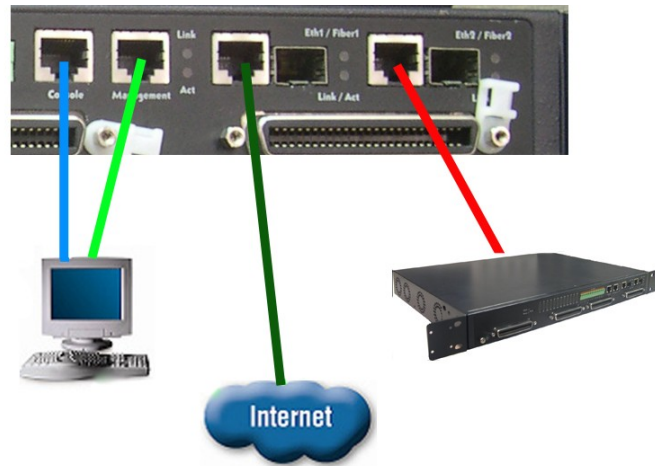


Step 1: Connect the ADSL line connector(s), a 50-pin centronic connector, of DAS-3 Series IP DSLAM to CPE's by using telco cable. Each line connector can support 24 ports of ADSL/ADSL2/2+ for Data path.

Step 2: Connect the phone connector(s), a 50-pin centronic connector, of DAS-3248/DC to Exchange/PBX by using telco cable.

Step 3: Connect to DC power and then turn on the DC Power Supply.

### Uplink/Downlink and Mgmt Connection



## 2 Web Configuration

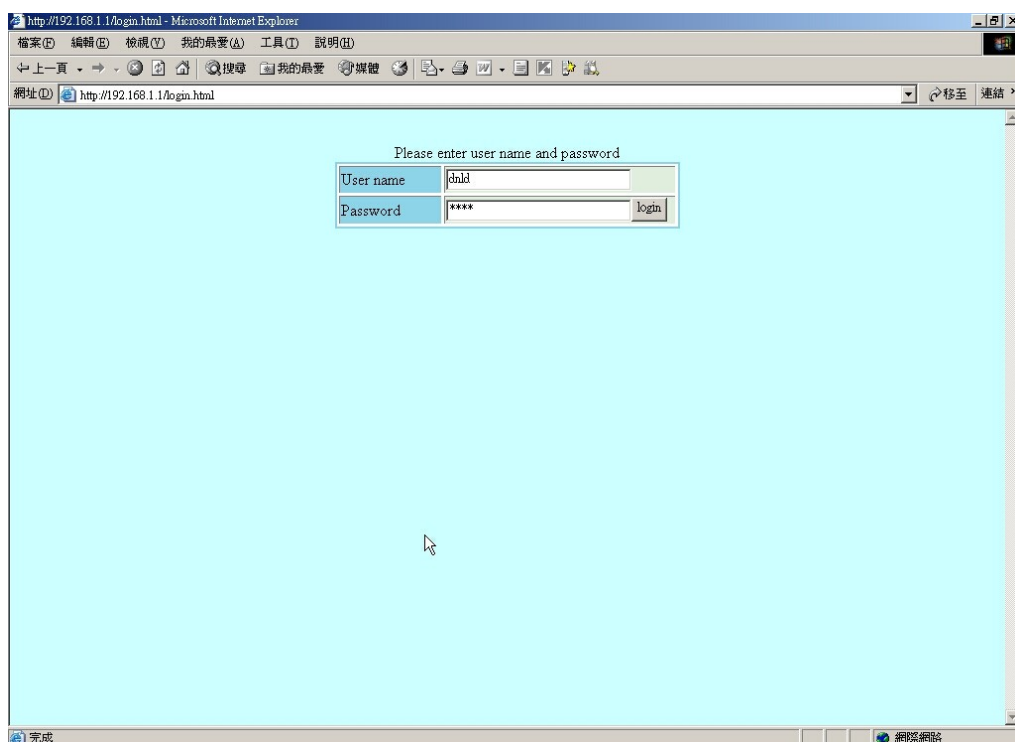
This section shows how to prepare the system to perform basic communication functions through Web management. Perform initial configuration procedures as follows:

### 2.1. Login Window

Launch your web browser, and go to <http://192.168.1.1> via management port. The following screen appears.

The login window to use User name/Password = **dnld** / **dnld** then click “login” button to login.

#### DAS3 Series Web Management Login Window



Even though you can connect to the IP-DSLAM Eth1/Fiber1 (uplink) or Eth2/Fiber2 (downlink), it is recommended that you connect your computer to management port for initial configuration.



The DAS3 series web management login User name/Password = **dnld** / **dnld** of default value.

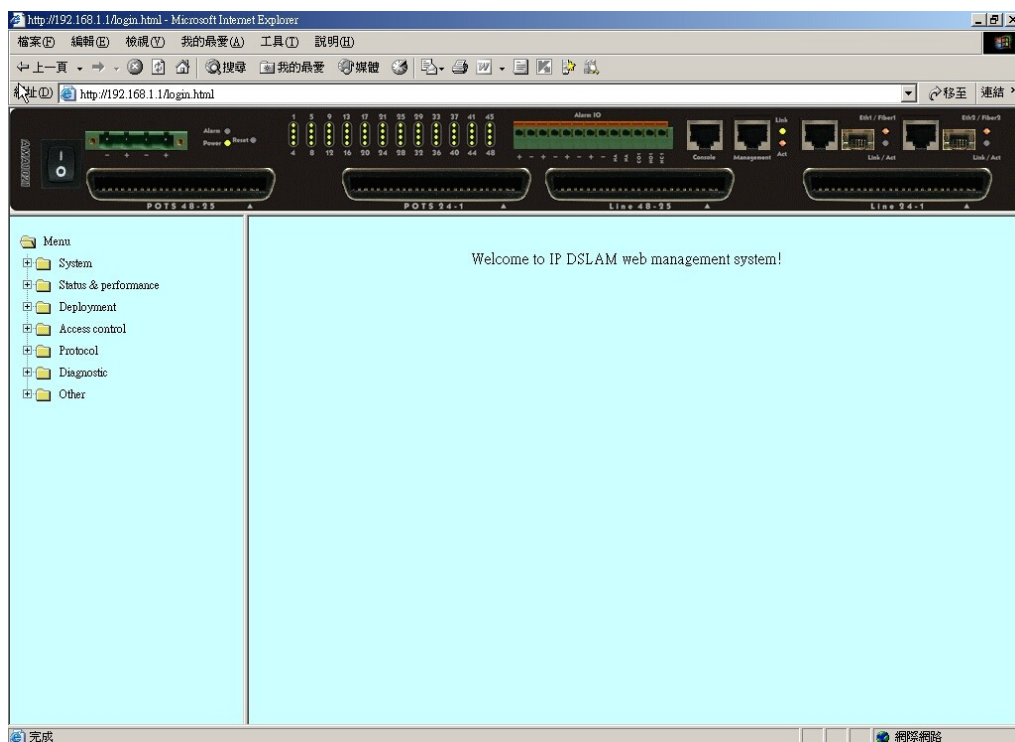
---

---

## 2.2. Operation Window Overview

The DAS3 series web management window contains main menu, operate window and real-time LED status panel.

### DAS3 Series Web Management Operation Window



## 2.3. Configuring the DAS-3 Series Community

1. Before you start to connect to EMS, it is necessary that your PC's IP and DAS-3 Series's IP are in the same subnet. **Note:** DAS-3 Series's default MGNT IP/prefix length is 192.168.1.1/24.
2. Create management IP into the DAS-3 Series so that the authorized IP agent can

manage DAS-3 Series through LCT. Connect to DAS-3 Series with RS-232 or Ethernet cable, and then write the IP into DAS-3 Series by telnet or CLI. Input the following commands sequentially:

- a. *create snmp host ip 192.168.1.xxx community public*, where *192.168.1.xxx* is the IP of your PC and *public* is the SNMP community.
- b. *create snmp traphost ip 192.168.1.xxx community public*, where *192.168.1.xxx* is the IP of your PC and *public* is the SNMP community.

**Note:** To access the **CLI Ex** mode via a direct VT100-compatible terminal connection to the Console Port, use the following procedure:

**DAS-3 Series Console Management Setting Table**

Parameter	Setting
Baud rate	9600
Data bits	8
Parity	None
Start bits	1
Stop bits	1
Flow control	None

## Configure the System

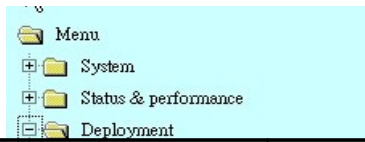
Click on the **Menu → System → Information** from the DAS3 Series main menu in which some parameters related to the system are available for configuration.

The DAS-3 Series System Information window will appear as follows:

Description	DAS3248
Up time	0 day(s) 0 hr. 2 min. 52 sec.
Contact	No.289, Sinhu 3rd Road, Neihu District, Taipei, Taiwan.
Name	customerservice@dlink.com
Location	No.289, Sinhu 3rd Road, Neihu District, Taipei, Taiwan.
HW version	60
CPSw version	R2.32
DSP version number	E.67.1.11

## Configure DSL Profile

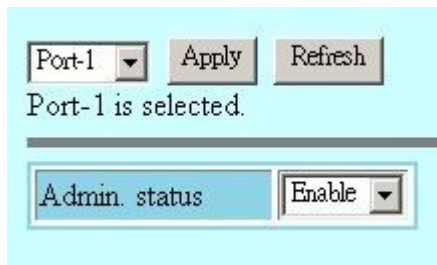
©2007 D-Link Corporation, Inc. All rights reserved. Trademarks or registered trademarks are the property of their respective holders. Software and specifications subject to change without notice. D-Link ADSL IP DSLAM.



Open the **Deployment** from the menu tree. The DAS-3 Series Configuration menu and related windows will appear as follows:

Item	Description
DSL port	The PVC Management dialog has the ability to configure the ATM PVC on ADSL port interface.
DSL profile configuration	This section describes the static Line (ADSL) profile configuration. Line Profile Configuration dialog allows you to modify the ADSL connection parameters of each ADSL port.
DSL profile mapping	This section helps you to attach the DSL profile to the ADSL line interface.
PVC setting	The PVC Management dialog has the ability to configure the ATM PVC on ADSL port interface.

### DSL port Dialog



Select port to be enabled or disabled



## DSL profile configuration Dialog

Profile name: ADSL2plus

Standard type	ads2Plus	AnnexM	off
Line type	fast	Rate mode	adaptAtStartup
	ATUC	ATUR	
Target SNR margin(db/10)	60	60	
Minimum SNR margin(db/10)	0	0	
Maximum SNR margin(db/10)	310	310	
Minimum TX rate(Kbps)	64	64	
Maximum TX rate(Kbps)	28000	1088	
Maximum interleave delay(ms)	16	16	
PM mode	L2 & L3 enable		
L2 entry rate(Kbps)	256	L2 entry time(sec)	1800
L2 minimum rate(Kbps)	1024	L2 exit rate(Kbps)	512

Add DSL profile dialog allows you to create the ADSL connection parameters. Enter the control values to the text box and click 'Add' to activate.

Add DSL profile - Microsoft Internet Explorer

Profile name:

Standard type	ads2Plus	AnnexM	off
Line type	interleave	Rate mode	adaptAtStartup
	ATUC	ATUR	
Target SNR margin(db/10)	60	60	
Minimum SNR margin(db/10)	0	0	
Maximum SNR margin(db/10)	310	310	
Minimum TX rate(Kbps)	64	64	
Maximum TX rate(Kbps)	28000	1088	
Maximum interleave delay(ms)	16	16	
PM mode	L2 & L3 enable		
L2 entry rate(Kbps)	256	L2 entry time(sec)	1800
L2 minimum rate(Kbps)	1024	L2 exit rate(Kbps)	512

## DSL profile mapping Dialog

From  to  mapping to profile name

Port	Mapping profile name
Port-1	ADSL2plus
Port-2	ADSL2plus
Port-3	ADSL2plus
Port-4	ADSL2plus
Port-5	ADSL2plus
Port-6	ADSL2plus
Port-7	ADSL2plus
Port-8	ADSL2plus
Port-9	ADSL2plus
Port-10	ADSL2plus
Port-11	ADSL2plus
Port-12	ADSL2plus
Port-13	ADSL2plus



If DSL profile chose 'None', it is the default parameter value. Refer to Table 1

**Table 1 Default DSL Profile Setting**

Item	Setting
<b>Line Interface</b>	
Standard type	ADSL2Plus
AnnexM	off
Line Type	interleave
Rate Mode	adaptAtStartup
<b>SNR Margin (ATUC/ATUR)</b>	
Target SNR Margin (db/10)	60
Minimum SNR Margin (db/10)	0
Maximum SNR Margin (db/10)	310
<b>Tx Rate and Delay (ATUC/ATUR)</b>	
Minimum Tx Rate (Kbps)	64
Maximum Tx Rate (Kbps)	ATUC: 28000 ATUR: 1088
Maximum Interleave Delay (ms)	16
<b>Power Management</b>	
Power Management mode	L2 & L3 enable
L2 Entry Rate (Kbps)	256
L2 Minimum Rate (Kbps)	1024
L2 Entry Time (sec)	1800
L2 Exit Rate (Kbps)	512

## PVC setting Dialog

All port Add Bulk add Delete Refresh Set PPPoA MAC Loading...

All port is selected.

port	vpi	vci	type	vlan ID	priority	vlan tag	other	All / None
1	0	35					Mux = llcmux MAC limit = 16	<input type="checkbox"/>
2	0	35	EOA	1	0	False	Mux = llcmux MAC limit = 16	<input type="checkbox"/>
3	0	35	EOA	1	0	False	Mux = llcmux MAC limit = 16	<input type="checkbox"/>
4	0	35	EOA	1	0	False	Mux = llcmux MAC limit = 16	<input type="checkbox"/>
5	0	35	EOA	1	0	False	Mux = llcmux MAC limit = 16	<input type="checkbox"/>
6	0	35	EOA	1	0	False	Mux = llcmux MAC limit = 16	<input type="checkbox"/>
7	0	35	EOA	1	0	False	Mux = llcmux MAC limit = 16	<input type="checkbox"/>
8	0	35	EOA	1	0	False	Mux = llcmux MAC limit = 16	<input type="checkbox"/>
9	0	35	EOA	1	0	False	Mux = llcmux MAC limit = 16	<input type="checkbox"/>
10	0	35	EOA	1	0	False	Mux = llcmux	<input type="checkbox"/>

Click the 'Add' button to create new PVC and apply it to either a single or a range of ADSL port. A single ADSL port supports up to 8 PVCs.

Add PVC - Microsoft Internet Explorer

Port-1

Vpi value

Vci value

Type

vlan ID

priority

vlan tag

Mux

MAC limit



## **Advanced Setting**

For more detailed information about complete configuration, please refer to the User's Manual on master CD