



## Remote Monitoring

Remotely monitor your home or office over the Internet from anywhere

## HD Resolution

High-resolution 1 Megapixel HD-720P images ensure that you capture the details that you need

## High-quality video feeds

Real-time video compression using the H.264, MPEG-4, and MJPEG codecs

## Features:

- 1/4" 1 Megapixel CMOS progressive sensor
- Real-time H.264, MPEG-4 and Motion JPEG compression
- HD resolution (1280x720) and up to 1M (1280x800)
- Fixed lens 3.45 mm F2.0
- Simultaneous multi-stream support
- ePTZ
- Supports multiple access list
- Privacy Mask feature
- Micro SD Card slot
- 2-way audio support
- 1 digital input / 1 digital output
- IEEE 802.11n (DCS-2130 only)
- WEP / WPA / WPA2 security (DCS-2130 only)
- 3GPP mobile surveillance
- Built-in Samba client for NAS
- ONVIF compliant

## HD Cube Network Camera



### Camera Surveillance For Home & Office

The DCS-2103/2130 is a unique and versatile surveillance solution for your home or small office. Unlike a traditional webcam, the DCS-2103/2130 is a complete system with a built-in CPU and web server that transmits high quality video images for security and surveillance. Simple installation and an intuitive web-based interface offer easy integration with your Ethernet or 802.11n wireless network (DCS-2130 only). The DCS-2103/2130 also comes with remote monitoring and motion detection features for a complete and cost-effective home security solution.

### Wireless N Connectivity

The DCS-2130 includes 802.11n wireless for fast and easy integration into your existing network environment. Wireless N allows you to stream high-quality video to remote sites and mobile devices. A Site Survey feature also allows you to view and connect to nearby wireless networks with ease. The DCS-2103/2130 also includes a standard Ethernet port for connections to traditional wired networks.

### ePTZ For Surveying Regions Of Interest

The ePTZ feature allows users to select a target region for close-up viewing simply by clicking on the video feed displayed within their browser. ePTZ makes use of the camera's megapixel resolution to survey a large area effortlessly. Since ePTZ requires no moving parts, there is no need to worry about the camera having mechanical failures.

### Easy To Configure And Operate

This network camera supports the Universal Plug-n-Play feature, which allows computers running on Windows XP/Vista/7 to automatically recognize the camera and add it to the network. Sign up with one of the free Dynamic DNS services available on the web to assign a name and domain to the camera (e.g. mycamera.dlinkddns.com), and remotely access the camera without having to remember your IP address. You may also view up to 32 cameras from a central location using the included D-ViewCam software. D-ViewCam has a robust set of features including automated e-mail alerts which can instantly inform administrators of suspicious or unusual activities.





## HD Cube Network Camera

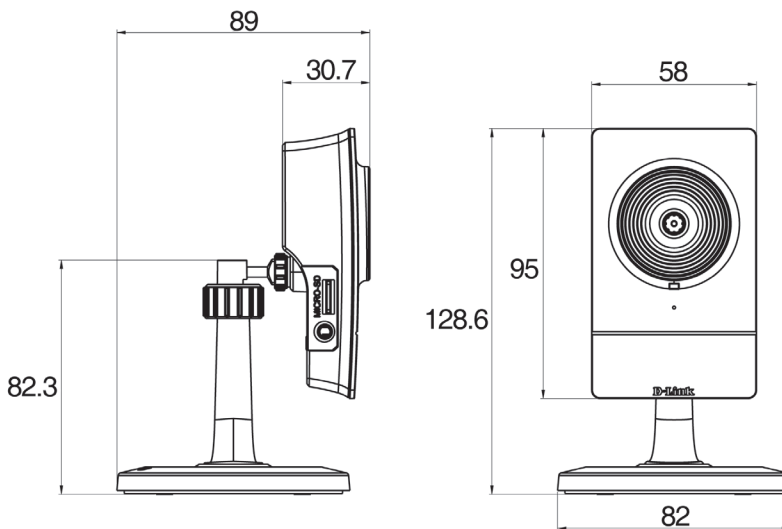
### Technical Specifications

Camera	<b>Camera Hardware Profile</b>	<ul style="list-style-type: none"> <li>1/4" 1 Megapixel progressive CMOS sensor</li> <li>Minimum illumination: 1.0 lux</li> <li>10x digital zoom</li> <li>Fixed length 3.45 mm</li> </ul>	<ul style="list-style-type: none"> <li>Aperture: F2.0</li> <li>Angle of view: (H) 57.8° (V) 37.8° (D) 66°</li> </ul>	
	<b>Image Features</b>	<ul style="list-style-type: none"> <li>Configurable image size, quality, frame rate, and bit rate</li> <li>Time stamp and text overlays</li> <li>Configurable motion detection windows</li> </ul>	<ul style="list-style-type: none"> <li>3 configurable privacy mask zones</li> <li>Configurable shutter speed, brightness, saturation, contrast, and sharpness</li> </ul>	
	<b>Video Compression</b>	<ul style="list-style-type: none"> <li>Simultaneous H.264/MPEG-4/MJPEG format compression</li> </ul>	<ul style="list-style-type: none"> <li>JPEG for still images</li> </ul>	
	<b>Video Resolution</b>	16:9 - 1280 x 800, 1280 x 720, 800 x 450, 640 x 360, 480 x 270, 320 x 176, 176 x 144 at frame rates up to 30 fps 4:3 - 1024 x 768, 800 x 600, 640 x 480, 480 x 360, 320 x 240, 176 x 144 at frame rates up to 30 fps		
	<b>Audio Support</b>	G.726		
	<b>External Device Interfaces</b>	<ul style="list-style-type: none"> <li>1 DI / 1 DO</li> <li>MicroSD card slot</li> </ul>	<ul style="list-style-type: none"> <li>Built-in microphone</li> <li>3.5 mm audio output jack</li> </ul>	
Network	<b>Network Protocols</b>	IPv4, TCP/IP, UDP, ICMP, DHCP Client, NTP Client (D-Link), DNS Client, DDNS Client (D-Link), SMTP Client, FTP Client, HTTP / HTTPS, Samba Client, PPPoE, UPnP Port Forwarding, RTP / RTSP/ RTCP, IP filtering, 3GPP, IGMP, ONVIF Compliant		
	<b>Security</b>	<ul style="list-style-type: none"> <li>Administrator and user group protection</li> </ul>	<ul style="list-style-type: none"> <li>Password authentication</li> </ul>	
System Management	<b>System Requirements for Web Interface</b>	<ul style="list-style-type: none"> <li>Operating System: Microsoft Windows 7/Vista/XP/2000</li> <li>Browser: Internet Explorer, Firefox, Netscape, Opera</li> </ul>		
	<b>Event Management</b>	<ul style="list-style-type: none"> <li>Motion detection</li> <li>Event notification and upload snapshots/video clips via HTTP, SMTP, or FTP</li> </ul>	<ul style="list-style-type: none"> <li>Supports multiple HTTP, SMTP, and FTP servers</li> <li>Multiple event notifications</li> <li>Multiple recording methods for easy backup</li> </ul>	
	<b>Remote Management</b>	<ul style="list-style-type: none"> <li>Configuration accessible via web browser</li> <li>Take snapshots/video clips and save to local hard drive or NAS via web browser</li> </ul>		
	<b>Mobile Support</b>	Windows 7/Vista/XP system, Pocket PC, or mobile phone with 3GPP playback support		
	<b>D-ViewCam™ System Requirements</b>	<ul style="list-style-type: none"> <li>Operating System: Microsoft Windows 7/Vista/XP</li> <li>Web Browser: Internet Explorer 6 or higher</li> </ul>	<ul style="list-style-type: none"> <li>Protocol: Standard TCP/IP</li> </ul>	
	<b>D-ViewCam™ Software Functions</b>	<ul style="list-style-type: none"> <li>Remote management/control of up to 32 cameras</li> <li>Viewing of up to 32 cameras on one screen</li> </ul>	<ul style="list-style-type: none"> <li>Supports all management functions provided in web interface</li> <li>Scheduled motion triggered, or manual recording options</li> </ul>	
General	<b>Power Input</b>	5 V DC 1.2 A, 50/60 Hz		
	<b>Max. Power Consumption</b>	DCS-2103: 2 watts DCS-2130: 2.5 watts		
	<b>Operating Temperature</b>	0 to 40 °C (32 to 104 °F)		
	<b>Storage Temperature</b>	-20 to 70 °C (-4 to 158 °F)		
	<b>Humidity</b>	20% to 80% non-condensing		
	<b>Weight</b>	DCS-2103: 68 g DCS-2130: 69 g		
	<b>Certifications</b>	CE, CE LVD, FCC (Class B), C-Tick		



## HD Cube Network Camera

### Dimensions



**D-Link Corporation**  
No. 289 Xinhu 3rd Road, Neihu, Taipei 114, Taiwan  
Specifications are subject to change without notice.  
D-Link is a registered trademark of D-Link Corporation and its overseas subsidiaries.  
All other trademarks belong to their respective owners.  
©2011 D-Link Corporation. All rights reserved.  
Release 02 (November 2011)