

## Product Highlights

### High Definition

1280 x 720p high resolution with real-time frame rate, ensuring that you capture all the details you need

### Viewing Window and ePTZ

Draw a rectangle on the full view to focus on a Region of Interest (ROI) and set the ROI to auto pan along preset point to display vivid details in HD

### Remote Monitoring

Real-time video compression with H.264, MPEG-4, and MJPEG codecs



## DCS-3010

# HD PoE Fixed Network Camera

## Features

### High Definition Video

- 1/4" megapixel CMOS sensor
- Built-in 4.0 mm, F1.5 fixed lens
- HD resolution (1280 x 720), up to 1M (1280 x 800)
- H.264, MPEG-4 and Motion JPEG compression
- ePTZ for virtual PTZ operation
- Multi-stream support
- Privacy Mask
- Motion detection
- Built-in Samba client for saving to NAS

### Security and Flexibility

- Motion and Tamper detection
- Two-Way audio support (Half-duplex)
- Built-in Microphone
- Advanced event management
- Support 802.1x, QoS, CoS, and SNMPv1/v2/v3
- HTTPS secured streaming
- 3GPP mobile surveillance

### Connectivity

- 10/100 Fast Ethernet port with PoE
- Micro SD/SDHC Card slot for onboard storage
- Auto iris connector for DC iris lens
- Audio input/output for two way audio

The D-Link DCS-3010 is a fully featured entry level HD PoE Fixed Network Camera, equipped with 1/4" Megapixel Progressive Scan CMOS sensor and 4mm fixed iris lens. The camera can capture HD video at resolutions of up to 1280 x 800 with frame rates up to 30 fps. Snapshots and video can be saved to a network drive, or to onboard storage with the built-in SD Card slot.

## High Definition Surveillance

The DCS-3010 is built with a megapixel image sensor to give you high-quality snapshots and video with resolutions up to 720p HD. This gives you sharp, high-resolution snapshots and videos with rich detail. Get a closer look with ePTZ, which lets you zoom in, zoom out, and pan across your camera's video so you can survey a large area easily. A Power over Ethernet (PoE) port allows you to connect the camera to your network and power it through a single cable, simplifying deployment and doing away with the need for a nearby power outlet.

## Multiple Video Streams

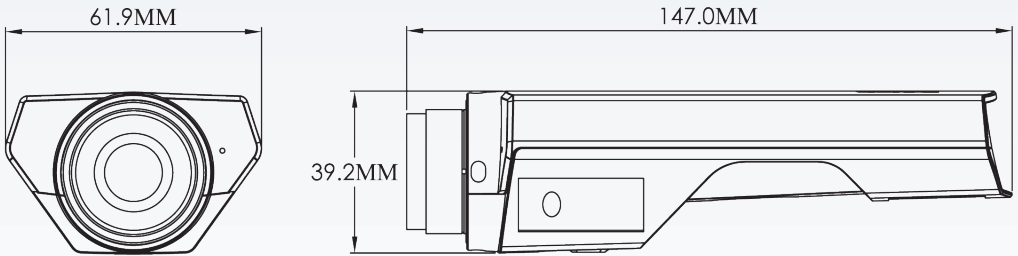
The DCS-3010 supports simultaneous streaming of H.264, MPEG-4, and MJPEG video to provide both high-quality and bandwidth-efficient compression formats. Additionally, the DCS-3010 supports multicast H.264 and MPEG-4 streaming, allowing users to view the camera feed by subscribing to a multicast IP address on the network.

## A Complete, Expandable Surveillance Solution

The DCS-3010 is a self-sufficient surveillance solution, capable of recording snapshots and video to a MicroSD card without requiring a PC or network storage device. If you want to expand your surveillance options, D-ViewCam management software is also included, giving you the ability to manage up to 32 cameras with a robust set of features, including multi-camera views and automated e-mail alerts to keep you informed of suspicious or unusual activities.

Technical Specifications		
Camera		
Camera Hardware Profile	<ul style="list-style-type: none"> <li>• 1/4" 1 Megapixel CMOS sensor</li> <li>• 256 Mbytes SDRAM</li> <li>• 32 Mbytes of flash memory</li> <li>• 4mm fixed lens</li> </ul>	<ul style="list-style-type: none"> <li>• Aperture F1.5</li> <li>• Angle of view               <ul style="list-style-type: none"> <li>• 56.9° (H)</li> <li>• 35.9° (V)</li> </ul> </li> </ul>
Image Features	<ul style="list-style-type: none"> <li>• Configurable image size, quality, frame rate, and bit rate</li> <li>• Time stamp and text overlays</li> <li>• 3 configurable motion detection windows</li> </ul>	<ul style="list-style-type: none"> <li>• 5 configurable privacy mask zones</li> <li>• Configurable brightness, saturation, contrast, and sharpness</li> </ul>
Video Compression	<ul style="list-style-type: none"> <li>• Simultaneous H.264/MPEG-4/MJPEG format compression</li> <li>• H.264/MPEG-4 multicast streaming</li> </ul>	<ul style="list-style-type: none"> <li>• JPEG for still images</li> </ul>
Video Resolution	<ul style="list-style-type: none"> <li>• 16:9 - 1280 x 800, 1280 x 720, 800 x 450, 640 x 360, 480 x 270, 320 x 176, 176 x 144 up to 30 fps recording<sup>1</sup></li> </ul>	<ul style="list-style-type: none"> <li>• 4:3 - 1024 x 768, 800 x 600, 640 x 480, 480 x 360, 320 x 240, 176 x 144 up to 30 fps recording<sup>1</sup></li> </ul>
Audio Support	<ul style="list-style-type: none"> <li>• GSM-AMR speech encoding, bit rate: 4.75 kbps to 12.2 kbps</li> <li>• G.711 audio encoding, bit rate: 8 kbps to 64 kbps</li> </ul>	<ul style="list-style-type: none"> <li>• MPEG-4 AAC audio encoding, bit rate: 16 kbps to 128 kbps</li> </ul>
External Device Interfaces	<ul style="list-style-type: none"> <li>• 10/100 BASE-TX Fast Ethernet port</li> <li>• Supports 802.3af PoE</li> </ul>	<ul style="list-style-type: none"> <li>• MicroSD/SDHC card slot</li> <li>• External Audio input/output</li> </ul>
Network		
Network Protocols	<ul style="list-style-type: none"> <li>• IPv4</li> <li>• TCP/IP</li> <li>• UDP</li> <li>• ICMP</li> <li>• DHCP client</li> <li>• NTP client (D-Link)</li> <li>• DNS client</li> <li>• DDNS client (D-Link)</li> <li>• SMTP client</li> <li>• FTP client</li> <li>• HTTP / HTTPS</li> </ul>	<ul style="list-style-type: none"> <li>• Samba client</li> <li>• PPPoE</li> <li>• UPnP port forwarding</li> <li>• RTP / RTSP/ RTCP</li> <li>• IP filtering</li> <li>• QoS</li> <li>• CoS</li> <li>• Multicast</li> <li>• IGMP</li> <li>• ONVIF compliant</li> </ul>
Security	<ul style="list-style-type: none"> <li>• Administrator and user group protection</li> <li>• Password authentication</li> <li>• HTTPS streaming</li> </ul>	<ul style="list-style-type: none"> <li>• HTTP and RTSP digest encryption</li> <li>• Remote client access control</li> </ul>
System Management		
System Requirements for Web Interface	<ul style="list-style-type: none"> <li>• Browser: Internet Explorer, Firefox, Chrome</li> </ul>	
Event Management	<ul style="list-style-type: none"> <li>• Motion detection</li> <li>• Event notification and uploading of snapshots/video clips via e-mail or FTP</li> </ul>	<ul style="list-style-type: none"> <li>• Supports multiple SMTP and FTP servers</li> <li>• Multiple event notifications</li> <li>• Multiple recording methods for easy backup</li> </ul>
Remote Management	<ul style="list-style-type: none"> <li>• Take snapshots/video clips and save to local hard drive or NAS via web browser</li> </ul>	<ul style="list-style-type: none"> <li>• Configuration interface accessible via web browser</li> </ul>
Mobile Support	<ul style="list-style-type: none"> <li>• Windows 7/Vista/XP system, Pocket PC, or mobile phone</li> </ul>	<ul style="list-style-type: none"> <li>• mydlink mobile app for iOS and Android mobile devices</li> </ul>
D-ViewCam™ System Requirements	<ul style="list-style-type: none"> <li>• Operating System: Microsoft Windows 7/Vista/XP</li> <li>• Web Browser: Internet Explorer 7 or higher</li> </ul>	<ul style="list-style-type: none"> <li>• Protocol: Standard TCP/IP</li> </ul>
D-ViewCam™ Software Functions	<ul style="list-style-type: none"> <li>• Remote management/control of up to 32 cameras</li> <li>• Viewing of up to 32 cameras on one screen</li> <li>• Scheduled motion triggered, or manual recording options</li> </ul>	<ul style="list-style-type: none"> <li>• Supports all management functions in web interface</li> </ul>

# DCS-3010 HD PoE Fixed Network Camera

Physical	
Weight	• 165 g (0.34 lb)
Power	• 12 V DC 0.5 A, 802.3af PoE
Power Consumption	• 4.6 W (12V DC), 6.6W (PoE).
Temperature	• Operating: 0 to 40 °C (32 to 104 °F)      • Storage: -20 to 70 °C (-4 to 158 °F)
Humidity	• Operating: 20% to 80% non-condensing      • Storage: 5% to 95% non-condensing
Certifications	• CE      • FCC • CE LVD      • C-Tick
Dimensions	
Order Information	
<i>Part Number</i>	<i>Description</i>
DCS-3010	HD PoE Fixed Network Camera

<sup>1</sup> Frame rates when streaming video may vary depending on network conditions and method used.

Updated 2012/10/12