



## HD Resolution

High-definition (Full HD) megapixel resolution and H.264 compression ensure a high-quality live video feed.

## Vandal-proof Housing

The DCS-6112V is equipped with vandal-proof housing which is certified with IK-10 criterion and protects the camera from vandalism.

## Power over Ethernet support

The DCS-6112V can utilize Power over Ethernet (PoE), allowing it to be easily installed in locations without the need for supplemental power cabling.

## Features

- 1/2.7" Full HD progressive megapixel CMOS sensor
- Real-time H.264/MPEG-4/MJPEG
- Max. resolution: 1920x1080 at 15 fps, 720p at 30 fps
- Four simultaneous streams
- Fixed lens built-in 4 mm F1.5
- Tamper detection
- Motion detection
- Privacy mask
- Two-way audio
- Advanced event management
- Advanced web user interface
- IPv6, 802.1x, QoS, CoS
- HTTPS secured streaming
- 3GPP mobile surveillance
- Samba client for NAS
- Multiple access lists
- Windows Vista LLTD
- Power over Ethernet (PoE)
- MicroSD card slot
- DI/DO support for external devices
- IK-10 vandal-proof criterion
- TV output support
- Unified SDK
- ONVIF compliant

## Full HD Vandal-proof Fixed Dome Network Camera



D-Link's DCS-6112V Full HD Vandal-proof Fixed Dome Network Camera features industry-leading high definition (Full HD) megapixel resolution and H.264 compression that enable high-quality video footage to be recorded. The DCS-6112V connects to a network to provide high-quality live video over the Internet. The camera also features a 3-axis inner bracket that allows for flexible observation area adjustment. With the free-bundled D-ViewCam 32-channel recording software, this network camera provides a complete solution for high-quality live viewing and reliable recording. The camera also has a built-in MicroSD card slot which can be used for local backup by storing important events on an easily retrievable MicroSD card.

### Full HD Surveillance

The DCS-6112V delivers Full HD 16:9 widescreen IP video surveillance which provides vivid high-quality video, making it easier to view and monitor footage.

### Multiple Video Streams

The DCS-6112V supports simultaneous streaming of H.264, MPEG-4, and MJPEG video to provide both high-quality and bandwidth-efficient compression formats. H.264 produces a small file size, making it useful for extended recording with high detail or for use in low-bandwidth networks. MJPEG delivers excellent file integrity, ideal for situations which require extensive image detail. Additionally, the DCS-6112V supports multicast H.264 streaming, allowing users to view the camera feed by subscribing to a multicast IP address on the network.

### Flexible Connectivity

The DCS-6112V includes input and output ports for connectivity to external devices such as IR sensors, switches, and alarm relays. The DCS-6112V also incorporates Power over Ethernet (PoE), allowing it to be easily installed in a variety of locations without the need for supplemental power cabling.

### 3GPP Mobile Surveillance

Support for 3GPP Mobile Surveillance allows users to view a live video feed from a 3GPP compatible Internet-ready mobile device. This extends monitoring capabilities, allowing users to check the camera's video feed while on the go without a computer.

### Vandal and Tamper-proof

Vandal-proof and anti-tamper features make the DCS-6112V camera suitable for tamper-prone locations such as transportation hubs, schools, or correctional facilities. The robust camera housing is IK-10-certified, allowing it to withstand a high amount of force. The electronic tamper detection system can sense whenever the camera has been redirected, de-focused, blocked, or spray-painted, and respond promptly with a visible or audible alarm.

### D-ViewCam for Management

The included D-Link D-ViewCam™ is sophisticated software which allows users to manage up to 32 network cameras, set e-mail alert notifications, create recording schedules, and use motion detection to record important events directly to a hard drive. D-ViewCam™ also allows users to upload a floor plan to create a realistic layout of the premises where the cameras are located, further simplifying the management process.

### Viewing Window and ePTZ

Customize your Region of Interest (ROI) by simply drawing a rectangle on the full view display in the web interface software. Being able to digitally move the ROI is an advantage for a fixed camera since it can utilize the virtual auto pan along with preset point settings to display vivid details from HD video footage. The viewing window also allows you to utilize zoom to obtain more-indepth footage.





## Full HD Vandal-proof Fixed Dome Network Camera

### Technical Specifications

Camera	<b>Hardware Profile</b>	<ul style="list-style-type: none"> <li>1/2.7" Full HD progressive megapixel CMOS sensor</li> <li>Fixed lens, 4 mm F1.5 with 77.4 degree horizontal viewing angle</li> <li>16X digital zoom</li> </ul>	<ul style="list-style-type: none"> <li>128 Mbytes of flash memory</li> <li>256 Mbytes SDRAM</li> <li>Minimum illumination: 0.12 lux/F1.5</li> </ul>
	<b>Image Features</b>	<ul style="list-style-type: none"> <li>Configurable image size, quality, and bit rate</li> <li>Time stamp and text overlays</li> <li>3 configurable motion detection windows</li> <li>ePTZ function</li> </ul>	<ul style="list-style-type: none"> <li>5 configurable privacy masks</li> <li>Flip &amp; mirror</li> <li>Configurable white balance, shutter speed, brightness, saturation, contrast, sharpness</li> </ul>
	<b>Video Compression</b>	<ul style="list-style-type: none"> <li>H.264/MPEG4/MJPEG dual format compression simultaneously</li> <li>JPEG for still image</li> </ul>	<ul style="list-style-type: none"> <li>H.264/MPEG-4 multicast streaming</li> </ul>
	<b>Video Resolution</b>	1920x1080 @ 15 fps, 1280x1024 @ 20 fps, 1280x720 @ 30 fps, 640x480 @ 30 fps, 320x240 @ 30 fps, 176x144 @ 30 fps	
	<b>Audio Features</b>	<ul style="list-style-type: none"> <li>GSM-AMR speech encoding, bit rate: 4.75 kbps to 12.2 kbps</li> <li>MPEG-4 AAC audio encoding, bit rate: 16 kbps to 128 kbps</li> </ul>	<ul style="list-style-type: none"> <li>Supports two-way audio and audio mute</li> </ul>
	Network	<b>Network Protocols</b>	IPv4, IPv6, TCP/IP, UDP, ICMP, DHCP Client, NTP Client (D-Link), DNS Client, DDNS Client (D-Link), SMTP Client, FTP Client, HTTP/HTTPS, Samba Client, PPPoE, UPnP Port Forwarding, RTP/RTSP/RTCP, IP filtering, 3GPP, LLTD, CoS/QoS, SNMP, IGMP, 802.1x
<b>Security</b>		<ul style="list-style-type: none"> <li>Administrator and user group protection</li> <li>Password authentication</li> <li>HTTP and RTSP digest encryption</li> </ul>	<ul style="list-style-type: none"> <li>HTTPS streaming</li> <li>Remote client access control</li> </ul>
System Integration	<b>System Requirements</b>	<ul style="list-style-type: none"> <li>Operating system: Microsoft Windows 7, Vista, XP, 2000</li> <li>Browser: Internet Explorer 6 or higher, Chrome, Firefox, Safari</li> </ul>	
	<b>D-ViewCam™ System Requirements for Web Interface</b>	<ul style="list-style-type: none"> <li>Operating System: Microsoft Windows 7, Vista, XP</li> <li>Web Browser: Internet Explorer 6 or higher</li> </ul>	<ul style="list-style-type: none"> <li>Protocol: Standard TCP/IP</li> </ul>
	<b>Event Management</b>	<ul style="list-style-type: none"> <li>Motion detection</li> <li>Tamper detection</li> <li>Event notification and upload snapshots/video clips via HTTP, SMTP or FTP</li> </ul>	<ul style="list-style-type: none"> <li>Multiple event notification</li> <li>Multiple recording methods for easy backup</li> <li>Supports multiple HTTP, SMTP and FTP servers</li> </ul>
	<b>Remote Management</b>	<ul style="list-style-type: none"> <li>Configuration accessible via web browser</li> <li>Take snapshots/video clips and save to local hard drive or NAS via web browser</li> </ul>	
	<b>Surveillance Software Function</b>	<ul style="list-style-type: none"> <li>Remote management/control of up to 32 cameras</li> <li>Viewing of up to 32 cameras on one screen</li> </ul>	<ul style="list-style-type: none"> <li>Supports all management functions provided in web interface</li> <li>Scheduled motion triggered, or manual recording options</li> </ul>
	<b>Supported PDA, Mobile Phones, and Software</b>	Handsets with 3GPP player, Quick Time 6.5, Real Player 10.5, Windows 7, Vista, XP, 2000	
	<b>External Device Interface</b>	<ul style="list-style-type: none"> <li>DI and DO for external sensor and alarm</li> <li>External audio input (MIC in)</li> <li>External audio/video output (AV out)</li> </ul>	<ul style="list-style-type: none"> <li>TV system switch (NTSC/ PAL)</li> <li>MicroSD card slot</li> </ul>

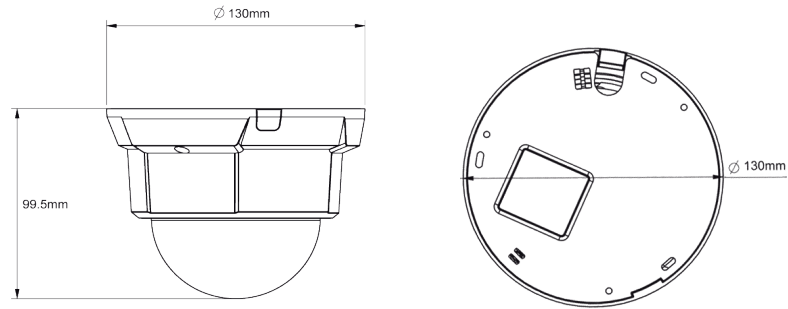


## Full HD Vandal-proof Fixed Dome Network Camera

### Technical Specifications

General	<b>Power Input</b>	12 V DC 1.25 A, 50/60 Hz, IEEE 802.3af PoE
	<b>Max. Power Consumption</b>	4.4 W
	<b>Operating Temperature</b>	-0 to 40 °C (32 to 104 °F)
	<b>Storage Temperature</b>	-20 to 70 °C (-4 to 158 °F)
	<b>Vandal-proof</b>	IK-10 standard
	<b>Humidity</b>	90% non-condensing
	<b>Weight</b>	572 g (1.26 lbs)
	<b>Certifications</b>	CE (Class A), CE LVD (EN60965-1), FCC (Class A), ICES-003, C-Tick

### Dimensions



**D-Link Corporation**  
 No. 289 Xinhu 3rd Road, Neihu, Taipei 114, Taiwan  
 Specifications are subject to change without notice.  
 D-Link is a registered trademark of D-Link Corporation and its overseas subsidiaries.  
 All other trademarks belong to their respective owners.  
 ©2011 D-Link Corporation. All rights reserved.  
 Release 01 (December 2011)