

## Product Highlights

### Full HD Resolution

A high-resolution megapixel sensor provides Full HD 1080p resolution images and video to ensure that you capture the details you need

### Power over Ethernet

Power over Ethernet (PoE) expands and simplifies your installation options by removing the need for supplemental power cabling

### Tamper-proof

Detects when camera has been redirected, defocused, blocked, or spray-painted, and can respond promptly with a visible or audible alarm



## DCS-6113

# Full HD Day & Night Dome Network Camera

## Features

### Camera

- 1/2.7" Full HD progressive megapixel CMOS sensor
- Fixed 4 mm lens, F1.5
- 15 m IR illumination distance
- Tamper detection
- Advanced event management

### Video & Audio

- Real-time simultaneous H.264/MPEG-4/MJPEG compression
- Max. resolution: 1920 x 1080 at 30 fps
- Four simultaneous streams
- Two-way audio
- Motion detection
- Privacy mask

### Connections

- Power over Ethernet (PoE)
- microSD card slot, SD/SDHC/SDXC compatible<sup>1</sup>
- DI/DO support for external devices

### Networking

- IPv6, 802.1x, QoS, CoS
- HTTPS secured streaming
- Samba client
- Multiple access lists

The DCS-6113 Full HD Day & Night Dome Network Camera features industry-leading high definition (Full HD) megapixel resolution and H.264 compression that enable high-quality video footage to be recorded. The DCS-6113 connects to a network to provide high-quality live video over the Internet. It can even capture video in both light and dark environments thanks to built-in IR illuminators and an IR-cut removable filter. With advanced event management, motion detection, a microSD card slot, and more, the DCS-6113 gives you a versatile surveillance solution that can be used in a larger security system or as a standalone solution.

## Full HD Surveillance

The DCS-6113 delivers Full HD 16:9 widescreen IP video surveillance which provides vivid high-quality video, making it easier to view and monitor footage. With the free-bundled D-ViewCam 32-channel recording software, the DCS-6113 provides a complete solution for high-quality live viewing and reliable recording. The camera also has a built-in microSD card slot which can be used for local backup by storing important events on an easily retrievable microSD card.

## Multiple Video Streams

The DCS-6113 supports simultaneous streaming of H.264, MPEG-4, and MJPEG video to provide both high-quality and bandwidth-efficient compression formats. H.264 produces a small file size, making it useful for extended recording with high detail or for use in low bandwidth networks. MJPEG delivers excellent file integrity, ideal for situations which require extensive image detail. Additionally, the DCS-6113 supports multicast H.264 streaming, allowing users to view the camera feed by subscribing to a multicast IP address on the network.

## Flexible Connectivity

The DCS-6113 includes input and output ports for connectivity to external devices such as IR sensors, switches, and alarm relays. The DCS-6113 also incorporates Power over Ethernet (PoE), allowing it to be easily installed in a variety of locations without the need for supplemental power cabling.

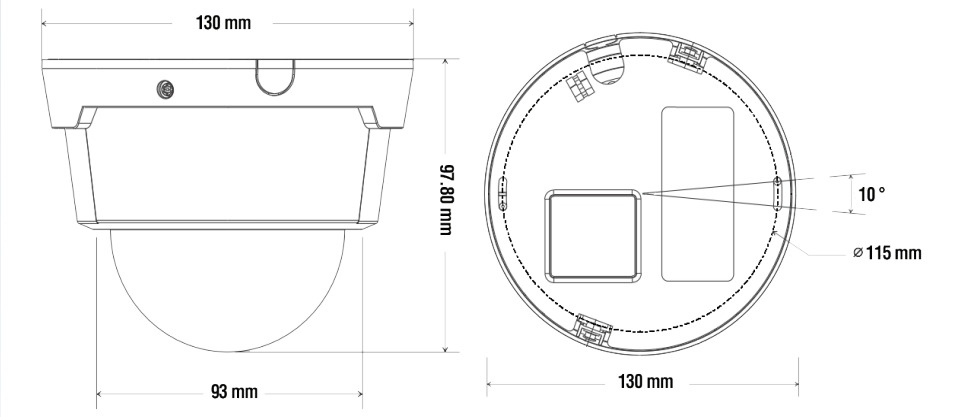
## D-ViewCam for Management

The included D-Link D-ViewCam™ is sophisticated software which allows users to manage up to 32 network cameras, set e-mail alert notifications, create recording schedules, and use motion detection to record important events directly to a hard drive. D-ViewCam™ also allows users to upload a floor plan to create a realistic layout of the premises where the cameras are located, further simplifying the management process.

Technical Specifications		
Camera		
Hardware profile	<ul style="list-style-type: none"> <li>• 1/2.7" Full HD progressive megapixel CMOS sensor</li> <li>• Fixed 4 mm lens</li> <li>• Aperture: F1.5</li> <li>• Shutter speed 1/30 to 1/32,000 sec</li> <li>• 16 x Digital Zoom</li> <li>• Minimum object distance: 0.4 m</li> </ul>	<ul style="list-style-type: none"> <li>• Minimum illumination: 0.12 lux</li> <li>• IR illumination distance: 15 m</li> <li>• Angle of view: (H) 77.32° (V) 48.46° (D) 85.10°</li> </ul>
Image Features	<ul style="list-style-type: none"> <li>• Configurable image size, quality, and bit rate</li> <li>• Time stamp and text overlays</li> <li>• 3 configurable motion detection windows</li> <li>• ePTZ function</li> </ul>	<ul style="list-style-type: none"> <li>• 5 configurable privacy masks</li> <li>• Flip &amp; mirror</li> <li>• Configurable white balance, shutter speed, brightness, saturation, contrast, sharpness</li> </ul>
Video Compression	<ul style="list-style-type: none"> <li>• Simultaneous H.264/MPEG4/MJPEG multi-format compression</li> <li>• JPEG for still image</li> </ul>	<ul style="list-style-type: none"> <li>• H.264/MPEG-4 multicast streaming</li> </ul>
Video Resolutions	<ul style="list-style-type: none"> <li>• 1920 x 1080</li> <li>• 1440 x 1080</li> <li>• 1280 x 960</li> <li>• 1280 x 720</li> <li>• 1024 x 768</li> <li>• 800 x 600</li> <li>• 800 x 450</li> </ul>	<ul style="list-style-type: none"> <li>• 640 x 480</li> <li>• 640 x 360</li> <li>• 480 x 270</li> <li>• 320 x 240</li> <li>• 320 x 176</li> <li>• All resolutions at up to 30 fps</li> </ul>
Audio Compression	<ul style="list-style-type: none"> <li>• MPEG-4 AAC, 16 kbps to 128 kbps</li> </ul>	<ul style="list-style-type: none"> <li>• Supports two-way audio and audio mute</li> </ul>
Network		
Network Protocols	<ul style="list-style-type: none"> <li>• IPv4</li> <li>• IPv6</li> <li>• TCP/IP</li> <li>• UDP</li> <li>• ICMP</li> <li>• DHCP Client</li> <li>• NTP Client (D-Link)</li> <li>• DNS Client</li> <li>• DDNS Client (D-Link)</li> <li>• SMTP Client</li> <li>• FTP Client</li> <li>• HTTP/HTTPS</li> </ul>	<ul style="list-style-type: none"> <li>• Samba Client</li> <li>• PPPoE</li> <li>• UPnP Port Forwarding</li> <li>• RTP/RTSP/RTCP</li> <li>• IP filtering</li> <li>• CoS/QoS</li> <li>• SNMP</li> <li>• IGMP</li> <li>• 802.1x</li> <li>• ONVIF compliant</li> <li>• Multicast</li> </ul>
Security	<ul style="list-style-type: none"> <li>• Administrator and user group protection</li> <li>• HTTP and RTSP digest encryption</li> </ul>	<ul style="list-style-type: none"> <li>• HTTPS streaming</li> <li>• Remote client access control</li> </ul>

System Integration		
System Requirements	<ul style="list-style-type: none"> <li>Operating System: Microsoft Windows 8/7/Vista/XP/2000</li> </ul>	<ul style="list-style-type: none"> <li>Web Browser: Internet Explorer 7 or higher</li> </ul>
D-ViewCam™ System Requirements for Web Interface	<ul style="list-style-type: none"> <li>Operating System: Microsoft Windows 8/7/Vista/XP/2000</li> <li>Web Browser: Internet Explorer 7 or higher</li> </ul>	<ul style="list-style-type: none"> <li>Protocol: Standard TCP/IP</li> </ul>
Event Management	<ul style="list-style-type: none"> <li>Motion detection</li> <li>Tamper detection</li> <li>Event notification and upload snapshots/video clips via HTTP, SMTP or FTP</li> </ul>	<ul style="list-style-type: none"> <li>Multiple event notification</li> <li>Multiple recording methods for easy backup</li> <li>Supports multiple HTTP, SMTP and FTP servers</li> </ul>
Remote Management	<ul style="list-style-type: none"> <li>Take snapshots/video clips and save to local hard drive via web browser</li> </ul>	<ul style="list-style-type: none"> <li>Configuration accessible via web browser</li> </ul>
Surveillance Software Function	<ul style="list-style-type: none"> <li>Supports all management functions provided in web interface</li> <li>Scheduled motion triggered, or manual recording options</li> </ul>	<ul style="list-style-type: none"> <li>Remote management/control of up to 32 cameras</li> <li>Viewing of up to 32 cameras on one screen</li> </ul>
External Device Interface	<ul style="list-style-type: none"> <li>DI and DO for external sensor and alarm</li> <li>External audio input/output</li> <li>Video output (BNC)</li> </ul>	<ul style="list-style-type: none"> <li>microSD card slot <sup>1</sup></li> <li>12 V DC power input</li> </ul>
General		
Power	<ul style="list-style-type: none"> <li>Input: 12 V DC 1.25 A, 50/60 Hz</li> </ul>	<ul style="list-style-type: none"> <li>IEEE 802.3af PoE Class 3</li> </ul>
Max. Power Consumption	<ul style="list-style-type: none"> <li>5.3 W</li> </ul>	
Operating Temperature	<ul style="list-style-type: none"> <li>0 to 40 °C (32 to 104 °F)</li> </ul>	
Storage Temperature	<ul style="list-style-type: none"> <li>-20 to 70 °C (-4 to 158 °F)</li> </ul>	
Humidity	<ul style="list-style-type: none"> <li>Up to 85% non-condensing</li> </ul>	
Weight	<ul style="list-style-type: none"> <li>472 g (1.04 lbs)</li> </ul>	
Certifications	<ul style="list-style-type: none"> <li>CE (Class A)</li> <li>CE LVD (EN60965-1)</li> <li>FCC (Class A)</li> </ul>	<ul style="list-style-type: none"> <li>ICES-003</li> <li>C-Tick</li> </ul>

# DCS-6113 Full HD Day & Night Dome Network Camera

<p>Dimensions</p>	 <p>The technical drawing consists of two views of the camera. The left view is a front elevation showing a dome-shaped camera with a width of 130 mm and a base width of 93 mm. The height from the base to the top of the dome is 97.80 mm. The right view is a top-down circular view of the camera's dome, showing a diameter of 130 mm. It includes a 10° tilt angle and a central rectangular area with a diameter of 115 mm.</p>
<p>Order Information</p>	
<p>Part Number</p>	<p>Description</p>
<p>DCS-6113</p>	<p>Full HD Day &amp; Night Dome Network Camera</p>

Updated 2015/01/21

<sup>1</sup> Camera is compatible with microSD SD/SDHC/SDXC cards up to v3.01. Camera is not compatible with v4.x cards.