



DAY & NIGHT PoE OUTDOOR NETWORK CAMERAS

OUTDOOR DEPLOYMENT

A solid metal casing and wire-in bracket protect against damage while built-in PoE offers flexible placement

24-HOUR SURVEILLANCE

IR LEDs illuminate low-light environments, and an Infrared Cut Removable (ICR) filter allows for high-quality image capture during both daytime & nighttime¹

VERSATILE LENS FEATURES

The auto-iris provides automatic brightness control in addition to a varifocal lens offering easy focal length adjustment¹

DAY & NIGHT POWERFUL SURVEILLANCE

The DCS-7410 and DCS-7510 are day and night outdoor cameras with built-in infrared LEDs. These cameras can detect moving objects in total darkness at distances of up to 30 or 50 meters.² Equipped with a high-resolution Sony CCD image sensor, these cameras provide you with excellent image quality and a high level of detail. The built-in Infrared Cut Removable (ICR) filter in the DCS-7510 allows the camera to capture images in both good light and low-light conditions. Embedded with a powerful SoC (System-on-Chip), the cameras provide high-quality, real-time video compression in MPEG-4 and motion JPEG formats. These features make the DCS-7410/7510 an ideal solution for 24-hour surveillance.

VARIFOCAL LENS FOR FLEXIBLE SURVEILLANCE

The DCS-7510 is equipped with a varifocal 9 - 22 mm lens that allows you to manually change the focal length. You will get a wider field of view with a shorter focal length, whereas a longer focal length narrows the field of view and allows you to zoom in further. The focus and zoom controls are located on the outside of the camera case for easy adjustment. This camera also has an auto-iris that automatically adjusts the exposure according to lighting conditions for optimum picture quality.

WIRED PoE ACCESS

For easy installation in high places, the cameras comes with built-in 802.3af compliant Power over Ethernet (PoE), giving users the freedom to place the camera anywhere by eliminating the need for a nearby power outlet.

VIEW LIVE VIDEO FROM A 3G MOBILE PHONE³

A live feed from the camera can be accessed on a 3G mobile network by using a compatible mobile phone or PDA with a 3G video player. Users have a flexible and convenient way to remotely monitor a home or office in real time from anywhere within their 3GPP service area.

WEATHERPROOF HOUSING

The cameras are housed in an IP66 certified weatherproof casing which protects against rain and dust. An adjustable top shield guards the camera sensor from direct sunlight while providing ventilation. The wire-in-bracket design assembles tightly to protect the cables not only from outdoor wear and tear, but also from criminal acts such as intentional cable cutting.

INTELLIGENT & EASY TO USE

The bundled D-ViewCam software allows you to manage and record videos to a Network Attached Storage (NAS) device such as the D-Link DNS-323. Alternatively, you can record videos to a Network Video Recorder (NVR) such as the D-Link DNS-722-4 or DNS-726-4. These NAS and NVR devices support RAID-1 for you to back up your recorded videos. Playback of recorded videos consumes less time with triggered event browsing and smart database searching features. You can also connect the cameras to I/O sensors, and configure the system to send automated e-mail notifications for unusual events.

OTHER PRODUCTS YOU MAY NEED

Video Storage

- Network Attached Storage (NAS) DNS-323, DNS-343, DNS-346, DNS-356
Store videos recorded with your camera.
- Network Video Recorder (NVR) DNS-722-4/726-4
Store recorded video without requiring a PC to run monitoring software.

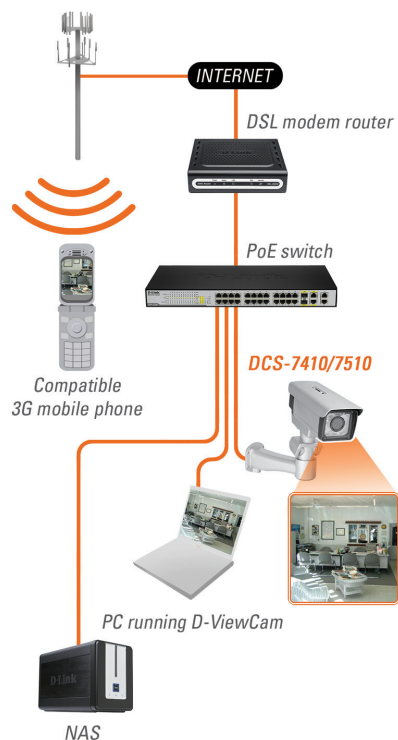
Power and Data

- PoE Switch: DES-1228P, DES-3028P, DES-3052P, DES-3528P, DES-3552P, or DGS-3426P
Provide a power and data connection to cameras through a single Ethernet cable.

Site Expansion

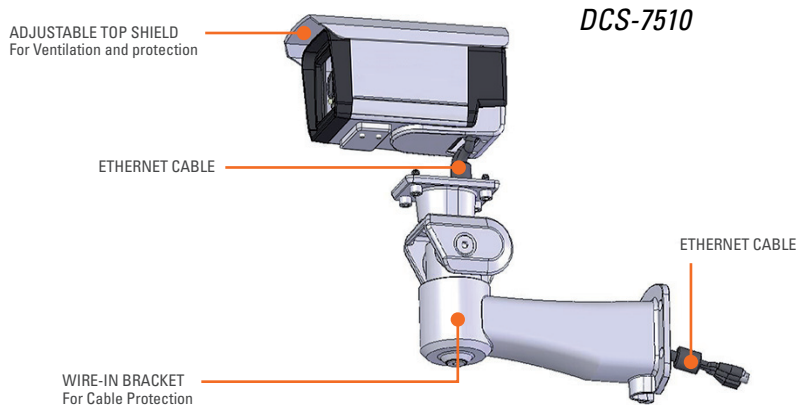
- D-ViewCam Central Video Surveillance software
- DVS Series Video Server
Add analog CCTV cameras to your surveillance network.

YOUR NETWORK SETUP



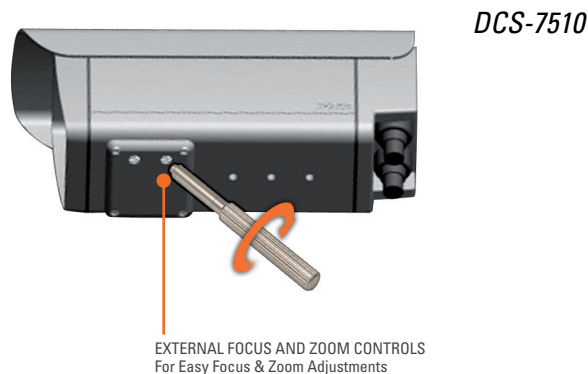
Wire-in-Bracket Design

A wire-in-bracket design protects the cables from damage and simplifies installation. (DCS-7510 only)



External Focus and Zoom Controls for Easy Adjustment

External controls allow for zoom and focus adjustments without camera enclosure disassembly.



WHAT THIS PRODUCT DOES

The DCS-7410/7510 are outdoor network cameras equipped with high-resolution Sony CCD image sensors for better performance under varied lighting conditions. The cameras include infrared LEDs for night vision illumination and a removable infrared-cut filter (DCS-7510 only) to enable 24-hour surveillance. With IP66 certified weatherproof enclosures, these cameras can be safely placed outdoors. 802.3af compliant Power over Ethernet (PoE) eases the installation process by providing both data and power through a single cable. The cameras provide DI/DO interfaces for connection to external devices such as IR sensors, switches, and alarm relays for effective surveillance. The DCS-7410/7510 provide high quality real-time videos in MPEG-4 and MJPEG compression. These features, in addition to high-resolution monitoring and recording, make these cameras an ideal solution for outdoor surveillance.

REMOTE MONITORING OPTION

The DCS-7410/7510 features 3G mobile video support⁹ enabling you to view a live video feed from your camera on a compatible 3G mobile phone or PDA anywhere in your 3G coverage area. D-ViewCam software is included to manage up to 32 cameras simultaneously, send automated e-mail alerts, and record video to your hard drive when motion is detected or according to a set schedule.

TECHNICAL SPECIFICATIONS

DCS-7510 CAMERA SPECIFICATIONS

- Built-in 1/3" SONY interlaced CCD sensor
- Supports auto-iris lens
- IR LEDs: Illuminates up to 50m
- Varifocal lens 9-22mm, F1.4-3.6
- Built-in IR-cut removable filter
- Minimum illumination: 1.5 lux @ F1.4, IR / 0 lux
- Electronic shutter:
NTSC: 1/60 - 1/100,000 sec.
PAL: 1/50 - 1/110,000 sec.

DCS-7410 CAMERA SPECIFICATIONS

- Built-in 1/3" SONY interlaced CCD sensor
- IR LEDs: 30m illumination distance
- Lens: Focal Length 12mm, F1.4
- Minimum illumination: 0.7 lux @ F1.4
- Electronic shutter:
NTSC: 1/60 - 1/100,000 sec.
PAL: 1/50 - 1/110,000 sec.

VIEW ANGLE

- DCS-7510
Horizontal: 31.2° - 12.8°
Vertical: 22.8° - 9.6°
- DCS-7410
Horizontal: 22°
Vertical: 17°

LED INDICATORS

- Link & Activity
- Power

RESET BUTTON

- Reset to factory default settings

EXTERNAL DEVICE INTERFACE

- 2 Inputs:
 - Photo Relay
 - Active High 12 V, +/-3 V, Dropout: 0 VDC
- 1 Output:
 - Photo Relay
 - Closed-circuit current: AC 70mA or DC 100mA; 400hm
 - Open circuit voltage: 240 VAC or 350 VDC
 - Power output: 12 V DC 200 mA
- RS-485 connector for external PT devices

MEMORY

- SDRAM: 64 MBytes
- Flash Memory: 8 MBytes

IR FUNCTIONS

- IR LED: 8 pcs (with condenser)
- IR Wavelength: 850 nm
- IR Status: Under 10 lux by photo sensor auto control
- IR Distance: Up to 50 m (DCS-7510)
- IR Distance: Up to 30 m (DCS-7410)

VIDEO FEATURES

- Adjustable image size, quality, and bit rate
- Time stamp and text overlays
- Configurable motion detection windows
- Adjustable AGC level, AWB, and AES

VIDEO RESOLUTION

- MPEG-4/MJPEG video resolution up to D1

VIDEO BIT RATE

- 64 K to 2 M

VIDEO ALGORITHM SUPPORT

- JPEG for still images
- MPEG4/MJPEG dual-format compression
- Simultaneous dual-streaming
- Supports up to 4 video profiles simultaneously
- Supports 3GPP mobile surveillance

DIGITAL ZOOM

- 16X

AUDIO

- Sampling Rate:
 - GSM-AMR: 12.2 Kbps
 - PCM: 8 Kbps
- Full duplex audio communication

NETWORK PROTOCOL SUPPORT

- IPv4, ARP, TCP/IP, RTSP, RTP, RTCP, HTTP, SMTP, FTP, NTP, DNS, DHCP, UPnP, DDNS, PPPoE, Samba Client, 3GPP

DCS-7410 & DCS-7510 COMPARISON

CAMERA FEATURES	DCS-7410	DCS-7510
Lens (Focal Length, Aperture)	12 mm, F1.4	9 - 22 mm, F1.4 - 360
Image Sensor	Sony 1/3" color CCD sensor, 520 TV lines	Sony 1/3" color CCD sensor, 520 TV lines
Minimum Illumination	0.7 lux @ F1.4	1.5 lux @ F1.4, IR / 0 lux
Auto-Iris Lens	-	✓
ICR Filter	-	✓
IR Distance	30 m	50 m
IR LEDs with Condenser	8 pcs only	8 pcs only
MPEG-4/MJPEG Compression	Simultaneous	Simultaneous
Samba Client	✓	✓
PoE Support	✓	✓
Wire-in Bracket	-	✓
IP66 Certification	✓	✓

NETWORK INTERFACE

- IEEE 802.3/802.3u 10/100BASE-TX Ethernet port
- Supports full-duplex operations
- Supports 802.3x Flow Control in full-duplex mode
- Supports IEEE 802.3af PoE

REMOTE MANAGEMENT

- Configurable via web browser
- Take snapshots/video clips and save to local hard drive via web browser or save directly to a NAS device

SECURITY

- Administrator and user group protected
- Password authentication

D-VIEWCAM SOFTWARE FUNCTIONS

- Remote management/control of up to 32 cameras
- Viewing of up to 32 cameras on one screen
- Management functions are provided in the web interface
- Scheduled, motion triggered, or manual recording options

SYSTEM REQUIREMENTS

- Operating System: Microsoft Windows 7 / Vista / XP, Mac OS X 10.3 or higher
- Browser: Internet Explorer 6 or higher, Firefox 2.0 or higher, Safari 2.0 or higher

POWER INPUT

- Through external AC power adapter or PoE Ethernet port
- 100-240 VAC, 50/60 Hz, 12 VDC, 1.25 A

POWER CONSUMPTION

- DCS-7410: 11.72 W
- DCS-7510: 12.00 W

DIMENSIONS (L x W x H)

- DCS-7410: 240 x 8.79 x 84.1 mm (9.4 x 0.3 x 3.3 inches)
- DCS-7510: 240 x 8.79 x 109.1 mm (9.4 x 0.3 x 4.3 inches)

WEIGHT

- DCS-7410: 1.63 kg
- DCS-7510: 1.72 kg

SUPPORTED SOFTWARE

- Handsets with a 3GPP player
- Packet Video Player 3.0
- QuickTime 6.5
- Real Player 10.5

OPERATING TEMPERATURE

- -20° to 45° C (-4° to 113° F)

STORAGE TEMPERATURE

- -20° to 70° C (-4° to 158° F)

HUMIDITY

- 20% to 80% non-condensing

EMISSION (EMI), SAFETY & OTHER CERTIFICATIONS

- FCC Class A
- IC
- CE
- C-Tick

¹ ICR filter, auto-iris, varifocal lens, and wire-in bracket available only on DCS-7510.

² IR LED illumination of up to 30 meters for DCS-7410 and 50 meters for DCS-7510.

³ The mobile device must have 3G support and subscribe to 3G service from a service provider. The playback device must be equipped with 3G video playback software such as RealPlayer™ or PacketVideo™.



D-Link Corporation
 No. 289 Xinhu 3rd Road, Neihu, Taipei 114, Taiwan
 Specifications are subject to change without notice.
 D-Link is a registered trademark of D-Link Corporation and its overseas subsidiaries.
 All other trademarks belong to their respective owners.
 ©2010 D-Link Corporation. All rights reserved.
 Release 03 (July 2010)