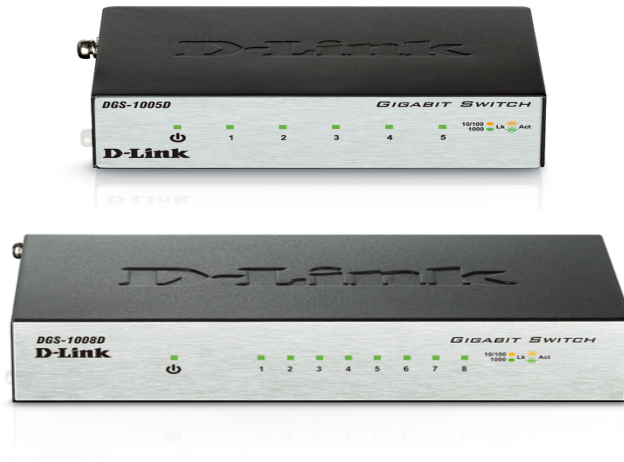


BUILD YOUR OWN GREEN NETWORK



5/8-PORT GIGABIT SWITCH

ECO-FRIENDLY

Innovative design runs quiet, cool, and clean, saving power automatically

HIGH-SPEED NETWORKING

Gigabit ports allow you to connect all your devices for fast file transfers and smooth media streaming

INTELLIGENT DATA STREAMING

QoS support enables clear VoIP calls and smooth online gaming



EFFORTLESS GIGABIT NETWORKING

With data transfer speeds of up to 2000 Mbps on Gigabit Ethernet, the D-Link DGS-1005D/1008D 5/8-Port Gigabit Switch is ideal for transferring files quickly and online gaming. The DGS-1005D/1008D features front, easy-to-access Ethernet ports with two color LED indicators per port to easily distinguish link status. The switch features QoS, which organizes and prioritizes time-sensitive and important data for efficient delivery, allowing for smooth streaming media, VoIP calling, and online gaming. Additionally the switch features a Kensington Security Slot on the rear panel where users can fasten the unit to a table or desk.

THINK GREEN

The DGS-1005D/1008D is a plug-and-play networking switch that features D-Link's Green Technology to save energy and reduce heat, which in turn extends product life without sacrificing performance or functionality. The switch supports IEEE 802.3az Energy-Efficient Ethernet (EEE) which can detect when a connected computer is shut down or when there is no Ethernet traffic, and will proceed to power down the idle port, saving a substantial amount of power. In addition, the switch can also save energy by detecting the length of cable connected to a port and use only as much power as is required. Both of these features work together to help you save power automatically.

ENVIRONMENTALLY FRIENDLY

The switch was designed with the environment in mind. It is compliant with Energy Star Level V, CEC, and MEPS regulations which require the use of energy efficient power adapters. The switch is built to comply with RoHS standards to minimize use of hazardous materials and is packaged with an EnergyStar Level V qualified power adapter in a recyclable packaging making this product truly environmental friendly.

WHAT THIS PRODUCT DOES

The DGS-1005D/1008D 5/8-Port Gigabit Switch offers an economical way for SOHO and small and medium businesses to benefit from the increased bandwidth of Gigabit Ethernet. It provides five/eight Gigabit ports for easy expansion of your network and a quick way to upgrade your network to Gigabit connectivity.

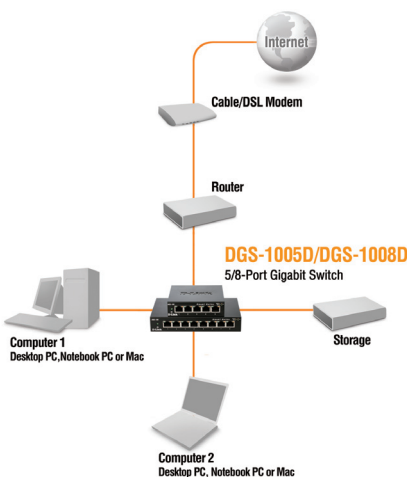
IEEE 802.1p QoS

QoS prioritizes network traffic so that time-sensitive data is delivered efficiently, even during bursts of high data traffic. This helps ensure an optimal experience for streaming media, VoIP calls, and online gaming.

CABLE DIAGNOSTICS FUNCTION

The D-Link Cable Diagnostics Function enables users to be instantly aware of cable conditions through the LED display on the front-panel. Users can determine whether the pin connections of their cable connectors are correct, facilitating prompt network troubleshooting if required.

YOUR NETWORK SETUP



TECHNICAL SPECIFICATIONS

KEY FEATURES

- Built-in D-Link Green Technology
- Inexpensive Gigabit solution for Home/SOHO
- Five/Eight 10/100/1000 Mbps Gigabit ports
- 10/16 Gbps switching fabric
- Auto MDI/MDIX crossover for all ports
- Secure store-and-forward switching scheme
- Full/half-duplex for Ethernet/Fast Ethernet speeds
- IEEE 802.3x Flow Control
- Supports 9,216 Byte Jumbo Frames
- Supports IEEE 802.1p QoS (4 Queues, Strict Mode)
- Supports Cable Diagnostics Function
- RoHS compliant
- Plug-and-play installation

STANDARDS

- IEEE 802.3 10BASE-T Ethernet (twisted-pair copper)
- IEEE 802.3u 100BASE-TX Fast Ethernet (twisted-pair copper)
- IEEE 802.3ab 1000BASE-T Gigabit Ethernet (twisted-pair copper)
- ANSI/IEEE 802.3 NWay auto-negotiation
- IEEE 802.3x Flow Control
- IEEE 802.1p QoS
- IEEE 802.3az Energy-Efficient Ethernet (EEE)

PROTOCOL

- CSMA/CD

DATA TRANSFER RATES

- Ethernet:
 - 10 Mbps (half duplex)
 - 20 Mbps (full duplex)
- Fast Ethernet:
 - 100 Mbps (half duplex)
 - 200 Mbps (full duplex)
- Gigabit Ethernet:
 - 2000 Mbps (full duplex)

TOPOLOGY

- Star

NETWORK CABLES

- 10BASE-T:
 - UTP CAT 3, 4, 5/5e (100 m max.)
 - EIA/TIA-568 100-ohm STP (100 m max.)
- 100BASE-TX, 1000BASE-T:
 - UTP CAT 5/5e (100 m max.)
 - EIA/TIA-568 100-ohm STP (100 m max.)

MEDIA INTERFACE EXCHANGE

- Auto MDI/MDIX adjustment for all ports

LED INDICATORS

- Per port: Link/Activity/Speed
- Per device: Power

TRANSMISSION METHOD

- Store-and-forward

MAC ADDRESS TABLE

- DGS-1005D: 2K
- DGS-1008D: 8K

MAC ADDRESS LEARNING

- Automatic update

PACKET FILTERING/FORWARDING RATES

- Ethernet: 14,880 pps per port
- Fast Ethernet: 148,800 pps per port
- Gigabit Ethernet: 1,488,000 pps per port

RAM BUFFER

- 128 KB per device

DC INPUT

- External 5 V/1 A Level "V" Power Adapter

POWER CONSUMPTION

- DGS-1005D
 - Power On (Standby): DC input: 0.5 watts AC input: 1.0 watts
 - Maximum: DC input: 2.01 watts AC input: 3.10 watts
- DGS-1008D
 - Power On (Standby): DC input: 0.55 watts AC input: 1.0 watts
 - Maximum: DC input: 2.8 watts AC input: 4.5 watts

HEAT DISSIPATION

- DGS-1005D
 - Power On (Standby) AC input: 3.41 BTU/h
 - Maximum DC input: 6.854 BTU/h
- DGS-1008D
 - Power On (Standby) AC input: 3.41 BTU/h
 - Maximum DC input: 9.548 BTU/h

MTBF

- DGS-1005D: 1,688,338 hours
- DGS-1008D: 2,053,751 hours

OPERATING TEMPERATURE

- 0 to 50 °C (32 to 130 °F)

STORAGE TEMPERATURE

- -10 to 70 °C (14 to 158 °F)

OPERATING HUMIDITY

- 10% to 90% RH non-condensing

STORAGE HUMIDITY

- 5% to 90% RH non-condensing

DEVICE DIMENSIONS (W x D x H)

- DGS-1005D
 - 100 x 98 x 28 mm (3.9 x 3.8 x 1.1 inches)
- DGS-1008D
 - 128 x 80 x 28 mm (5 x 3.1 x 1.1 inches)

CERTIFICATIONS

- FCC Class B
- ICES-003 Class B
- CE Class B
- C-Tick Class B
- VCCI Class B
- cUL
- CB



D-Link Corporation
No. 289 Xinhua 3rd Road, Neihu, Taipei 114, Taiwan
Specifications are subject to change without notice.
D-Link is a registered trademark of D-Link Corporation and its overseas subsidiaries.
All other trademarks belong to their respective owners.
©2012 D-Link Corporation. All rights reserved.
Release 01 (September 2012)