

DGS-3610 Series

Quick Installation Guide

Version 1.0

D-Link[®]

Product Overview

The DGS-3610 series is a new generation of 10G multi-layer chassis switch developed by D-Link that features high performance, high-security, intelligence and ease of use. The DGS-3610 switch provides flexible media interfaces, which accommodate various media for connection in networking. In addition, this series can be flexibly expanded with various 10G modules to offer high expandability and meet the needs for large bandwidth. The hardware of this series supports multi-layer wire-speed switching and provides a full range of perfect routing protocols to meet the requirement for multi-routing and high performance of large-scale networks.

The DGS-3610 provides the intelligent service flow classification from layer 2 to layer 7, perfect QoS and multicast application management feature. While providing high performance and intelligence, this series features excellent internal safety protection and user management, which effectively prevent and control virus spreading and network attacks, prevent illegal users from accessing the network, and ensure that legal users can reasonably use network resources. This guarantees the safe and reasonable use and operation of the network. Additionally, this series allow diversified safe control policies to be implemented according to the actual network environments.

The DGS-3610 switches provide large network convergence and medium-sized network cores with multi-layer switching, perfect end-to-end QoS, flexible and rich security settings and policy-based NM, at a high performance-price-ratio, best meeting the requirements of enterprise networks for high speed, security, and intelligence.

Currently, DGS-3610 series covers three types so as to meet kinds of application of users:

- DGS-3610-26: 24 10/100/1000M adaptive RJ45 ports, multiplexing 12 1000M SFP ports. Two back expansion 10G ports.
- DGS-3610-26P: Expanded model on the basis of DGS-3610-26 to support PoE, complying with 802.3af
- DGS-3610-26G: 24 1000M SFP ports, multiplexing 12 10/100/1000M adaptive RJ45 ports. Two back expansion 10G ports.

Applications:

- Convergence layers of large networks or the backbones of medium-sized networks;
- Upgrade to the 10G uplink backbone network by simply adding 10G modules for protecting user investment;
- Scenarios where numerous 1000M ports are needed to provide high-performance data processing;
- High-performance multi-layer switching solutions;
- Rich security management mechanism to offer network security protection, high-security access control and effective network access control;
- Perfect use of management policies to help the management of bandwidth and ensure the application of key services such as voice, multicast audio/video service and VOD

Prior Preparation

This switch is already prepared for installation at delivery. Before connecting the power supply and the network, please check all the accessories against the packing list in the packaging carton.



Warning

Read the installation instructions carefully before you power on the system.



Caution

Do not place the switch close to water or in a damp place. Prevent moisture from entering the switch.

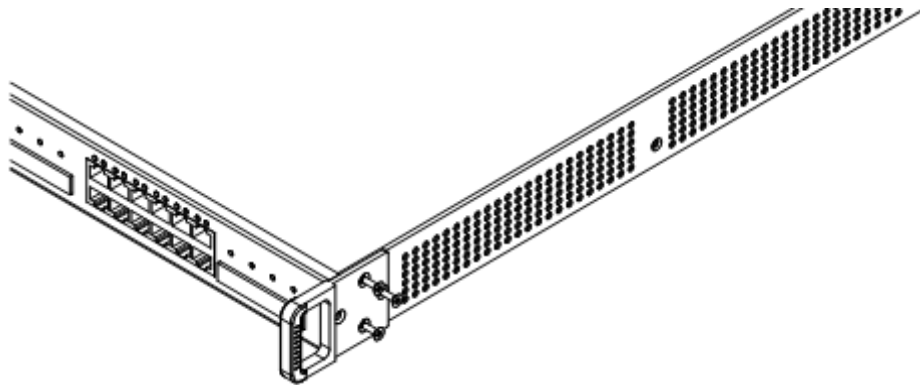
Keep the switch away from the places with much dust or strong electromagnetic interference.

Desktop Mounting

Step 1	Attach the four adhesive rubber pads provided in the carton onto the indentations on the four corners at the bottom of the switch.
Step 2	Place the switch on the desktop flatly to ensure that the air around the switch can flow freely.

You can install the handles onto the switch as shown below:

Figure 1-1 Schematic Diagram for Installing the Handle



The above figure shows the schematic diagram for installing the handle on the left of the switch. There are three screw holes on the handle. Align the handle with the screw holes on the side wall of the switch and tighten the sunk screws. Install the right handle in the same way as you install the left one.



Warning

To prevent overheating of the switch, place the switch in a location where the ambient temperature is no more than 40°C. Also the spacing of at least 10cm should be reserved around the chassis for good ventilation.



Do not place any heavy objects on the switch.

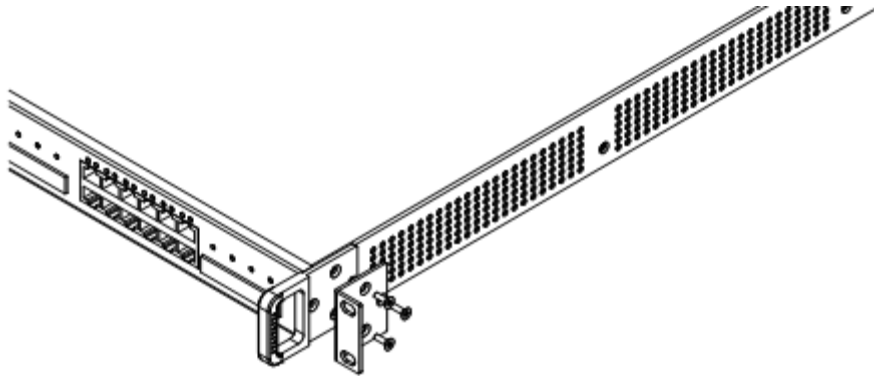
Caution

Rack Mounting

You can also mount the switch in the wiring section of a standard 19-inch rack. First fasten the accessories for rack mounting from the carton onto both sides of the switch and then mount the switch into the 19-inch rack with screws. When you are doing this, you can use the attached two L-shaped handle fastening brackets and 6 M3*10FMO sunk screws.

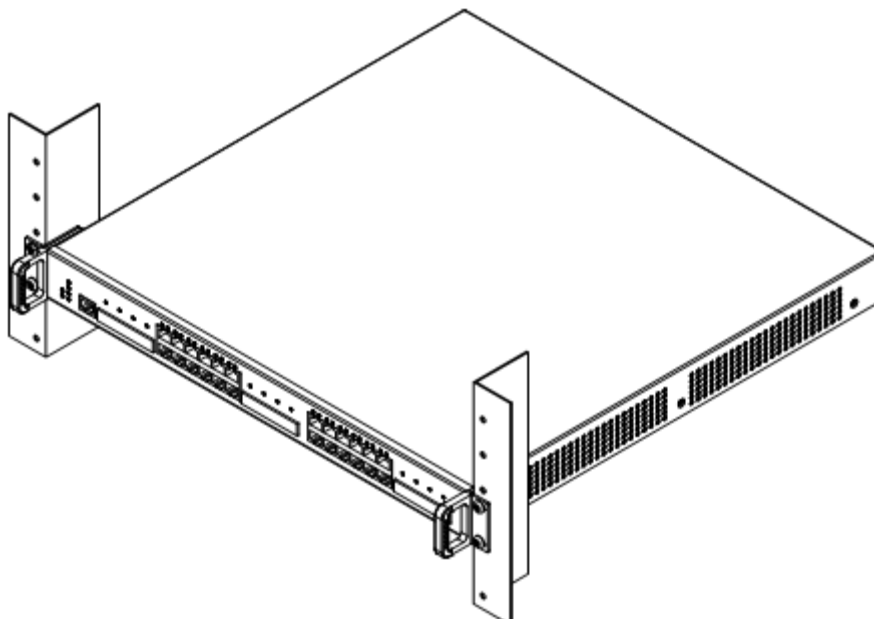
Step 1	Keep the fastening brackets with handles closely onto both sides of the switch, align with the screw holes and fasten them with M3*10FMO sunk screws, as shown in the following diagram:
-------------------	--

Figure 1-2 Schematic Diagram for Installing the L-Shaped Fastening Bracket



Step 2	Fasten the switch onto the rack, as shown in the following diagram. You should prepare the screws needed for rack mounting by yourself.
-------------------	---

Figure 1-3 Schematic Diagram for Fastening the Switch





Please ensure that the ventilation holes and fans on both sides and at the back of the chassis are not blocked.

System Connection

1.1.2 Connecting the RJ-45 Port

Use shielded or unshielded twisted pair cables with RJ-45 connectors on both ends. Use cables of Category 3, 4, and 5 to connect the 10Mbps Ethernet, and use cables of Category 5 to connect the 100/1000Mbps Ethernet ports. Connect one end of a cable to the network card or the RJ-45 port of another switch/HUB, and the other end to the RJ-45 port of the switch. When you plug the RJ-45 connector, you should hear a “click”, which means that the connector is plugged tightly.



Do not insert a phone connector into the RJ-45 port, as this may damage the switch.



Ensure that each twisted pair cable does not exceed 100 m in length.

1.1.3 Connecting Optical Fibers

Connect the optical module on the switch by using an optical fiber whose connector matches that of the optical module. When you are doing this, connect the RX end of one party to the TX end of the other party to ensure correct Rx/Tx channel connection.



Do not stare into the *1000BASE-SX/LX* ports as invisible laser radiation from them may hurt your eyes.

1.1.4 Laser Safety

Most optical transceiver modules supported by the DGS-3610 series are Class I laser products. Therefore, pay attention to the following during your use of this product:

- Do not stare into the optical module Tx ends or the connected fiber jumpers, as invisible laser radiation from them may hurt your eyes.
 - Unused optical modules should have their jumper ports covered with dust plugs, as dust may pollute or damage the laser connectors.
-



Never stare into the optical module Tx ends and the connected fiber jumpers to avoid injuries to your eyes.

Connecting Power Cables to the Switch

Please carefully read the following warning statements before you connect the power supply to the switch.



Warning

The first time you connect the power supply, please ensure that the power supply matches the power requirements of the switch to avoid damaging the switch.



Caution

You must use the 3-pin power socket with a ground end, and the distance between the power socket and the switch should be no more than 1.8 m. For more reliable grounding, ground the grounding terminal at the rear panel of the switch.

To do this, perform the following steps:

Step 1	Connect the grounding hole at the back of the switch to the grounding system of the equipment room.
Step 2	Connect the power supply of the switch.
Step 3	Check the "Status" LED on the front panel. If it is flashing, the power supply is normal and the switch starts initialization.

Optional Installation Procedure

This section describes the procedure that may be useful to you, depending on your on-site needs and how you configure your switch. If you want to configure the switch via the CLI, you must first connect the Console port of the switch to the computer. The cables needed for such connection are provided with the switch. The computer must be installed with a particular type of terminal simulation software (for example, WINDOWS HyperTerminal). Set the following parameters for the software: 9600 for baud rate, 8 data bits, no parity check, 1 stop bit, and no flow control. For details of how to configure the switch via CLI, see the CLI section in the configuration guide.