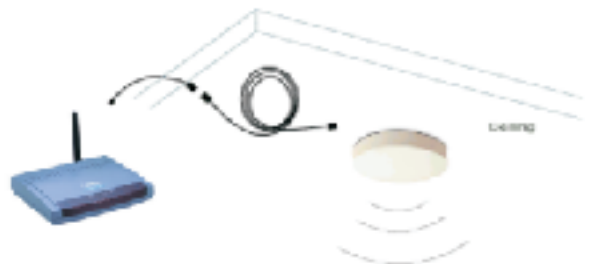


D-Link Quick Installation Guide

These products can be compliant with D-Link Air, Air Plus products to make your wireless LAN have better linking quality.

ANT24 Series

D-Link Fast Antenna Kits

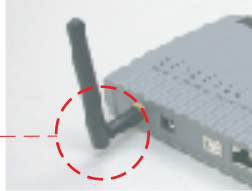


1

D-Link Antenna-kit Installation Guide

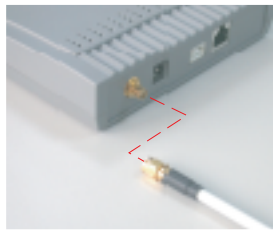
Step 1

Remove the default antenna.

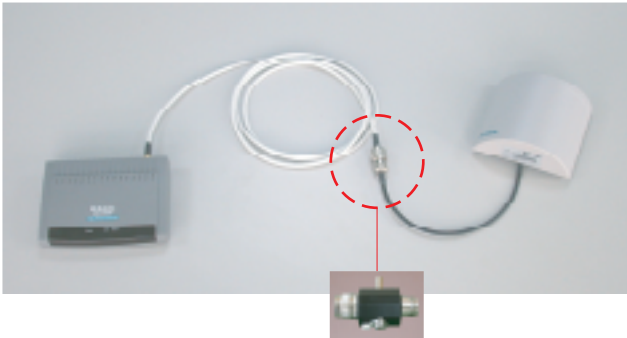


Step 2

Connect the extension cable onto the external connector on device.



Step 3



Install the surge protector as recommended position when you do not purchase the low loss cables (ANT24-CB03N, ANT24-CB06N and ANT24-09N...)

Step 4



Install the surge protector as recommended position ,near the device side, when you have the low loss cables (ANT24-CB03N, ANT24-CB06N and ANT24-CB09N ...)

Step 5

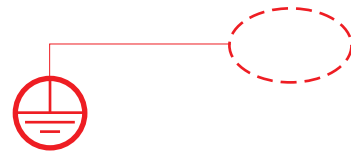
Use water-proof tape to wrap around both connectors tightly, as the pictures howed below



When install the surge protector between cables,



wrap the connectors as well. The lightning protection adaptor for grounding the antenna.



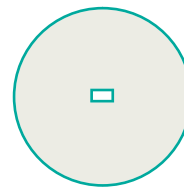
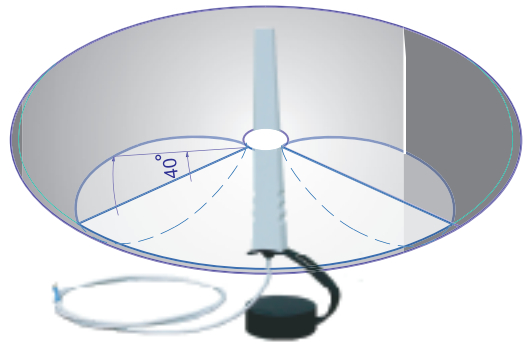
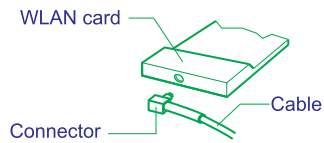
With Surge protector (ANT24-SP) adaptor on an outdoor serial is attached to the lightning protection system (ground) of the building. All devices downstream are then protected by the ground from lightning strikes. It can protect your sensitive WLAN equipments from high voltage surges caused by discharge and transients at the antennas. **It will be integrated in the cabling system between the antenna and the coax-cable and must have direct ground contact.**

2

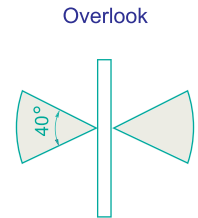
D-Link ANT24-0400 Indoor Omni-Directional Antenna

Remove one default antenna from the wireless device and start to assemble!

Compliant with DWL-660 WLAN card



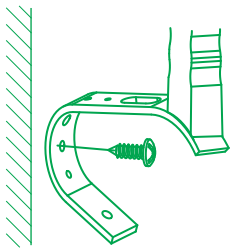
Horizontal coverage



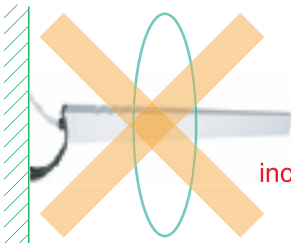
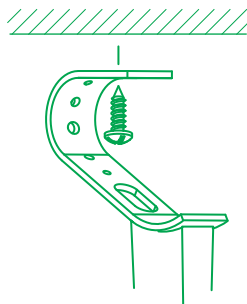
Vertical coverage

Overlook

Wall mount



Ceiling mount



incorrect placement

CAUTION:

Please always place the antenna vertically to the desk/ceiling, not recommend to mount the antenna perpendicular to the wall.

Frequency band	2400-2500MHz
Antenna gain	4dBi
VSWR	2.0 max
Polarization	Linear vertical
HPBW / H-plane	360°
HPBW / E-plane	40°
Impedence	50 Ohms
Dimensions LxWxH	70x48x200 mm
Weight	180g without joint

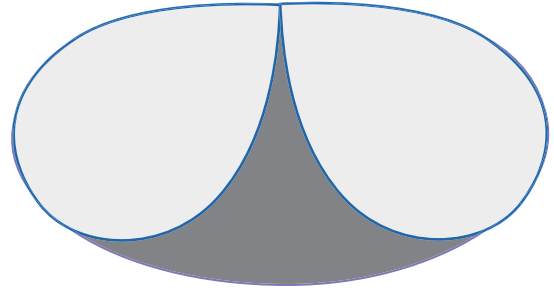
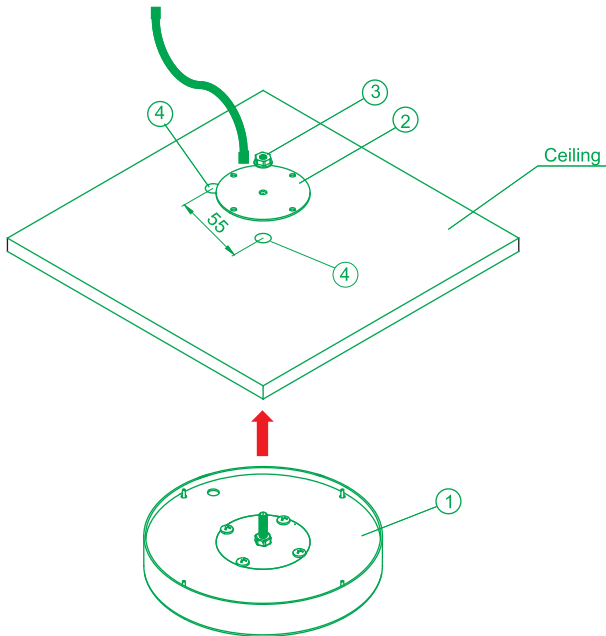
Package Contents:

- ANT24-0400 Antenna
- With 1.5m cable
- Mounting Kit
- Quick Installation Guide

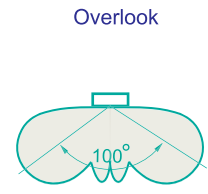
3

D-Link ANT24-0401 Ceiling Mount Antenna

Remove one default antenna from the wireless device and start to assemble!



Horizontal coverage

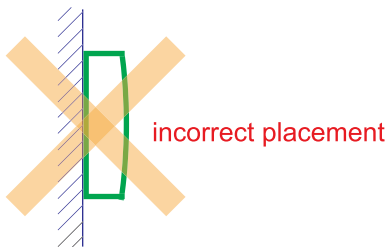


Vertical coverage

Overlook

Installation Note:

1. Carefully remove the antenna from the package.
2. Take out the Washer (1 pcs) from the package
3. Take out the Flange washer (1 pcs) as well.
4. Drill 2 holes through the ceiling board, one to fix the antenna main body with washer, another for the antenna SMA connector linked onto extension cable which is included within the package.



Frequency band	2400-2500MHz
Antenna gain	2.5 ~ 3.7 dBi
VSWR	2.0 max
Polarization	Linear vertical
HPBW / H-plane	360°
HPBW / E-plane	50 ~ 75 °
Impedence	50 Ohms
Dimensions	ø132x42 mm
Weight	110g without joint

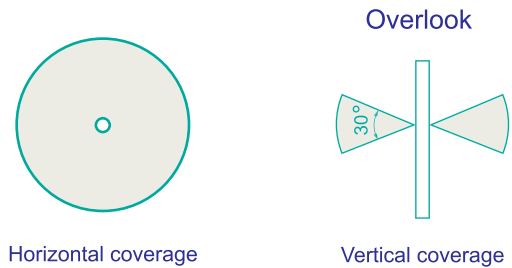
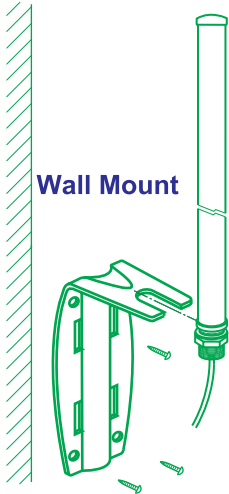
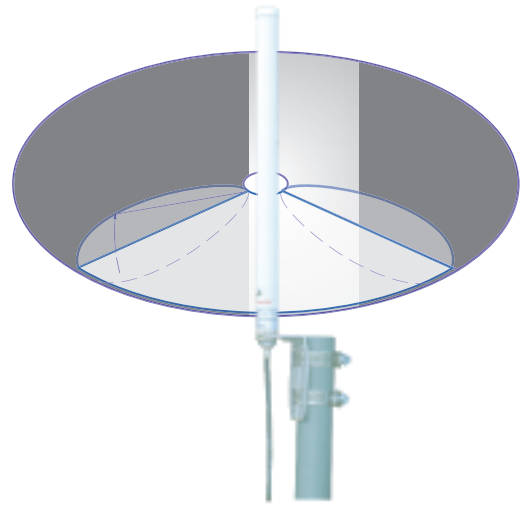
Package Contents:

- ANT24-0401 Antenna
- Extension Cable (2M)
- Mounting Kit
- Quick Installation Guide

4

D-Link ANT24-0500 Indoor/Outdoor Omni-Directional Antenna

Remove one default antenna from the wireless device and start to assemble!

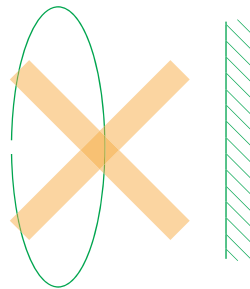


Installation Note:

1. use L- type mounting to fix with antenna
2. use 4 plastic anchor with (4) screws to install the antenna onto the wall.
3. use band clamp (2pcs) to fix the antenna on the pole.

Frequency band	2400-2500MHz
Antenna gain	5.0 dBi
VSWR	2.0 max
Polarization	Linear vertical
HPBW / H-plane	360°
HPBW / E-plane	32°
Impedence	50 Ohms
Dimensions LxWxH	ø19x310 mm
Weight	180g without joint

incorrect placement



⚠ CAUTION:

Please always place the antenna vertically to the horizontal surface, not recommend to mount the antenna perpendicular to walls.

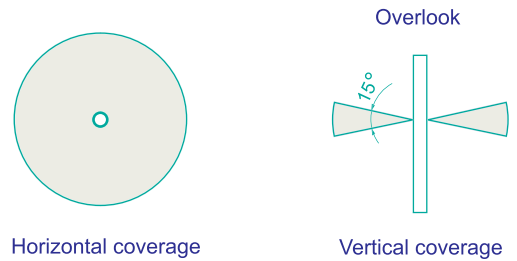
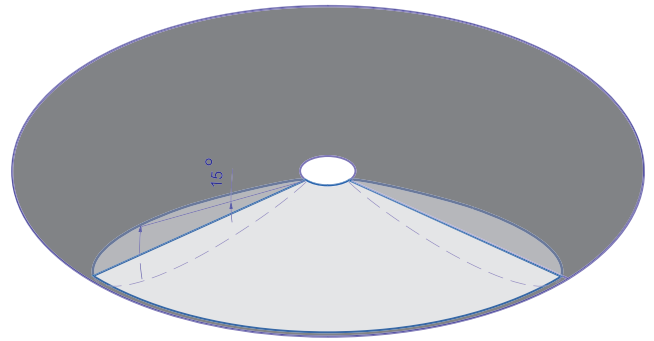
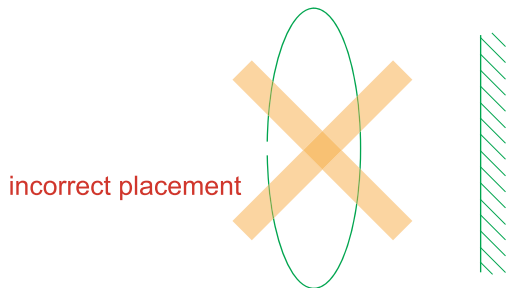
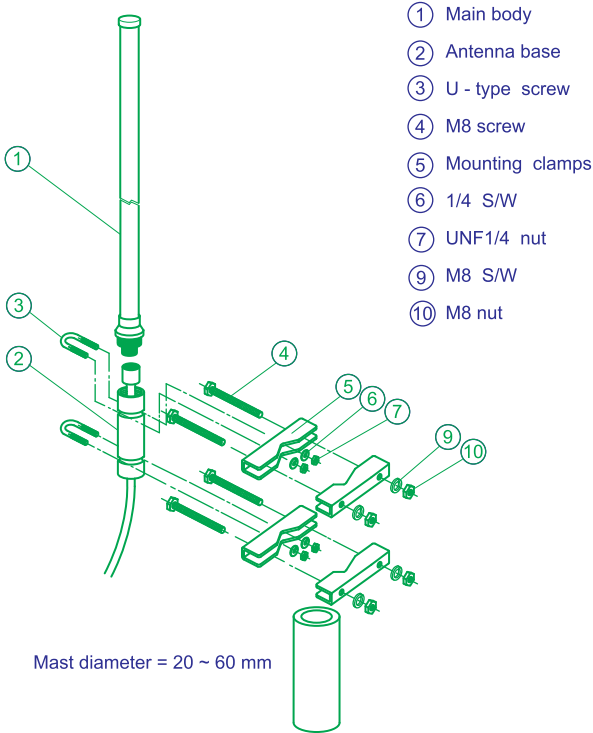
Package Contents:

- ANT24-0500 Antenna
- Extension Cable (3m)
- Mounting Kit
- Quick Installation Guide

5

D-Link ANT24-0800 Indoor/Outdoor Omni-Directional Antenna

Remove one default antenna from the wireless device and start to assemble!



Frequency band	2400-2500MHz
Antenna gain	8.0 dBi
VSWR	2.0 max
Polarization	Linear vertical
HPBW / H-plane	360°
HPBW / E-plane	15°
Impedence	50 Ohms
Dimensions LxWxH	∅19x630 mm
Weight	360g without joint

Package Contents:

- ANT24-0800 Antenna
- Extension Cable (50m)
- Mounting Kit
- Surge Protector
- Water-proof tape
- Quick Installation Guide

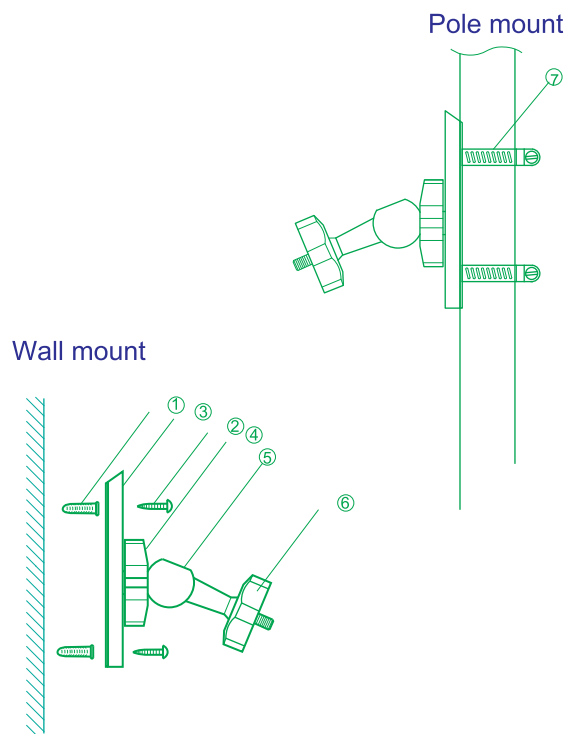
⚠ CAUTION:

Please always place the antenna vertically to the horizontal surface, not recommend to mount the antenna perpendicular to the wall.

6

D-Link ANT24-0801 Indoor/Outdoor Directional Panel Antenna

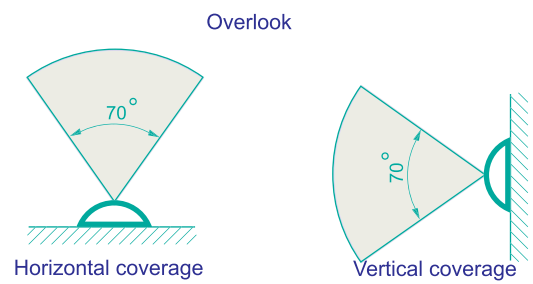
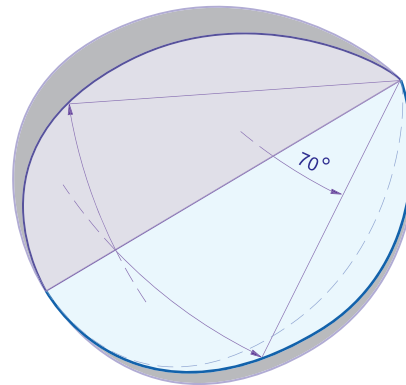
Remove one default antenna from the wireless device and start to assemble!



Installation Note:

The following parts are needed for wall mounting:

1. plastic wall anchors (4) screws
2. wall screws
3. mounting base
4. locking wheel on the mounting base
5. adjustable pivot arm
6. locking wheel for pivot arm



Frequency band	2400-2500MHz
Antenna gain	8.5 dBi
VSWR	1.5 max
Polarization	Linear vertical
HPBW / H-plane	70°
HPBW / E-plane	70°
Impedence	50 Ohms
Dimensions LxWxH	120x120x43mm
Weight	300g without joint

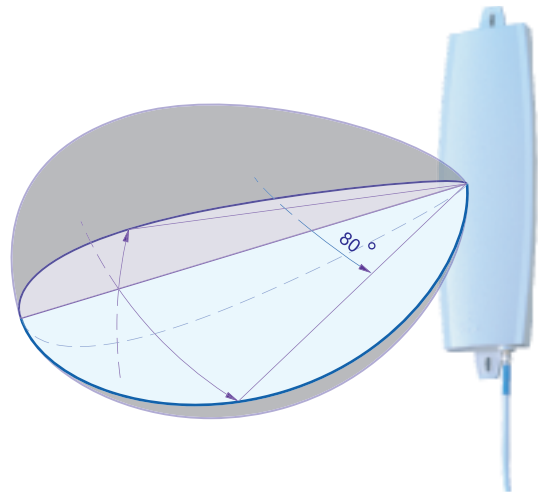
Package Contents:

- ANT24-0801 Antenna
- Extension Cable (3m)
- Mounting Kit
- Surge Protector
- Water-proof tape
- Quick Installation Guide

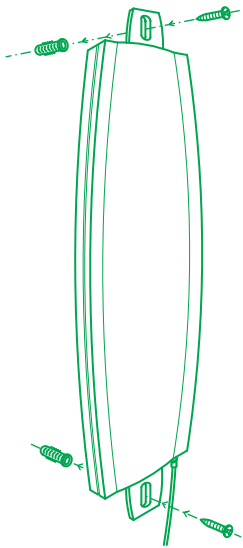
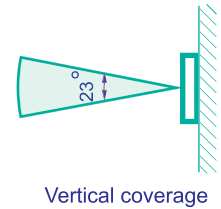
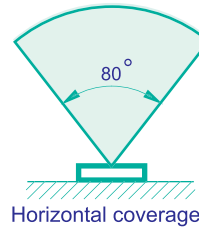
7

D-Link ANT24-1200 Indoor Directional Panel Antenna

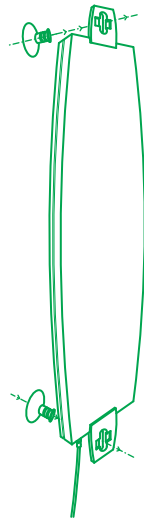
Remove one default antenna from the wireless device and start to assemble!



Overlook



Wall mount with plastic wall plug



Window suction mount with window suction cup

Frequency band	2400-2500MHz
Antenna gain	11.5 dBi
VSWR	1.5 max
Polarization	Linear vertical
HPBW / H-plane	80°
HPBW / E-plane	23°
Impedence	50 Ohms
Dimensions LxWxH	330x93x20 mm
Weight	190g without joint

Package Contents:

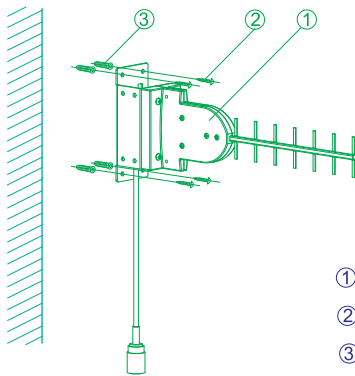
- ANT24-1200 Antenna
- Extension Cable (3m)
- Mounting Kit
- Quick Installation Guide

8

D-Link ANT24-1201 Outdoor Directional Yagi Antenna

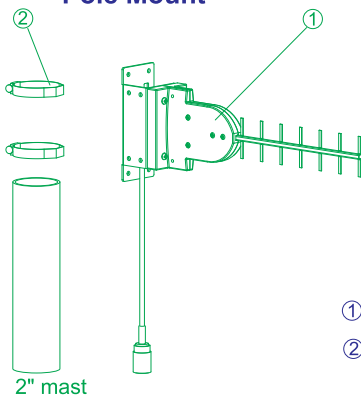
Remove one default antenna from the wireless device and start to assemble!

Wall Mount

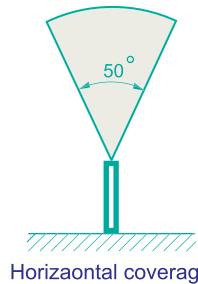
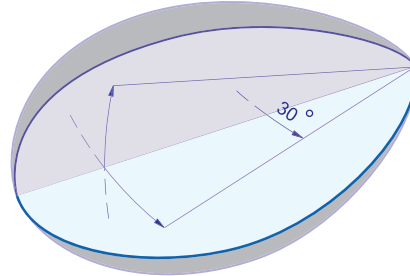


- ① Ant body
- ② 3/4" screw
- ③ Pole mount clip

Pole Mount

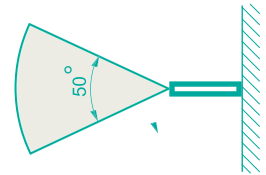


- ① Ant body
- ② 2-1/2" hose clamp



Horizontal coverage

Overlook



Vertical coverage

Frequency band	2400-2500 MHz
Antenna gain	12 dBi
VSWR	1.5 max
Polarization	Linear vertical
HPBW / H-plane	50°
HPBW / E-plane	50°
Impedence	50 Ohms
Dimensions LxWxH	280x87x48 mm
Weight	300g without joint

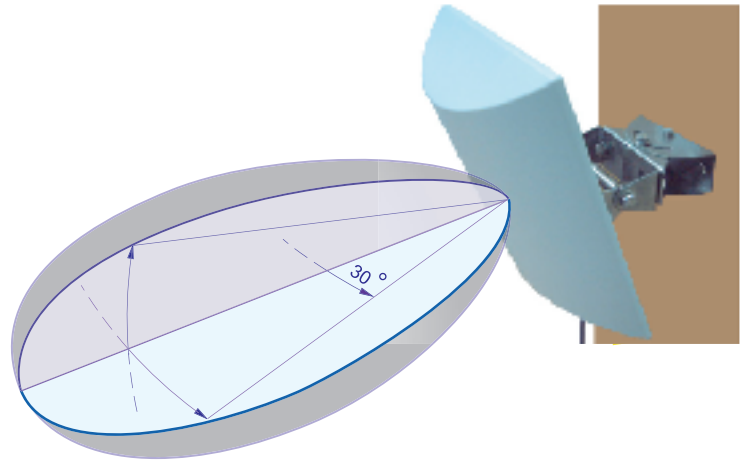
Package Contents:

- ANT24-1201 antenna
- Extension cable (50cm)
- Mounting kit
- Surge protector
- Water-proof tape
- Quick installation guide

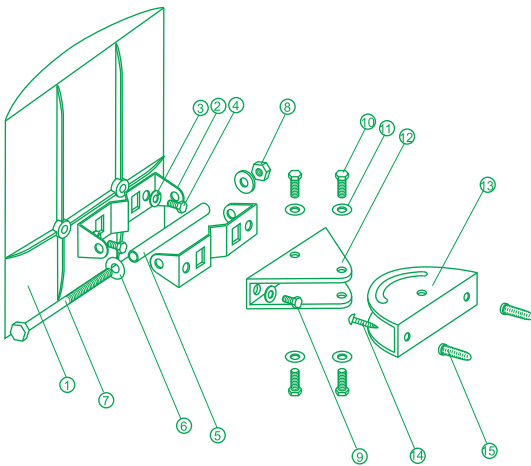
9

D-Link ANT24-1400 Outdoor Directional Panel Antenna

Remove one default antenna from the wireless device and start to assemble!



Wall mount

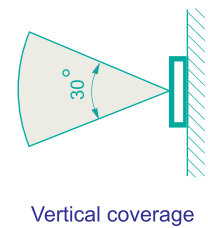
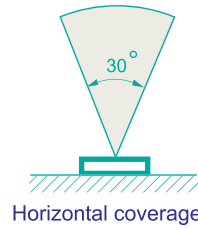


Installation Note:

Required parts for wall mounting:

1. ANT-1400 antenna body with 2 screw holes
2. M-shaped metal fixing
3. spring washers 8mm
4. bolts M8 x 12
5. steel tubes
6. 8mm washer
7. bolt M8 x 110
8. nut M8 with lock washer
9. bolts M8 x16 with lock washer, washers and nuts
10. bolts M6 x10 with washers
11. 6mm washers
12. triangular stand
13. half-round metal stand
14. wall screws
15. plastic wall anchor

Overlook



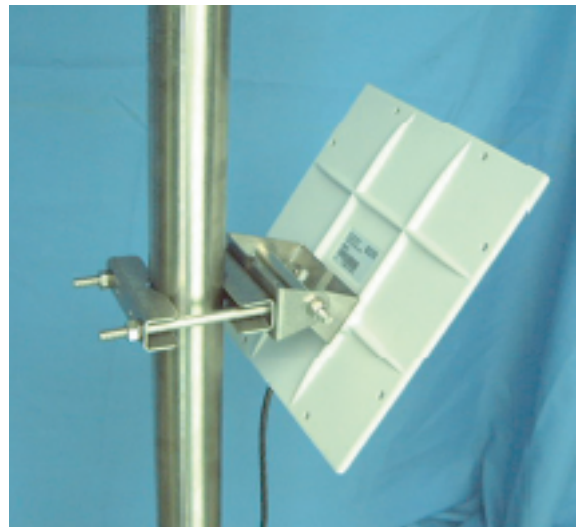
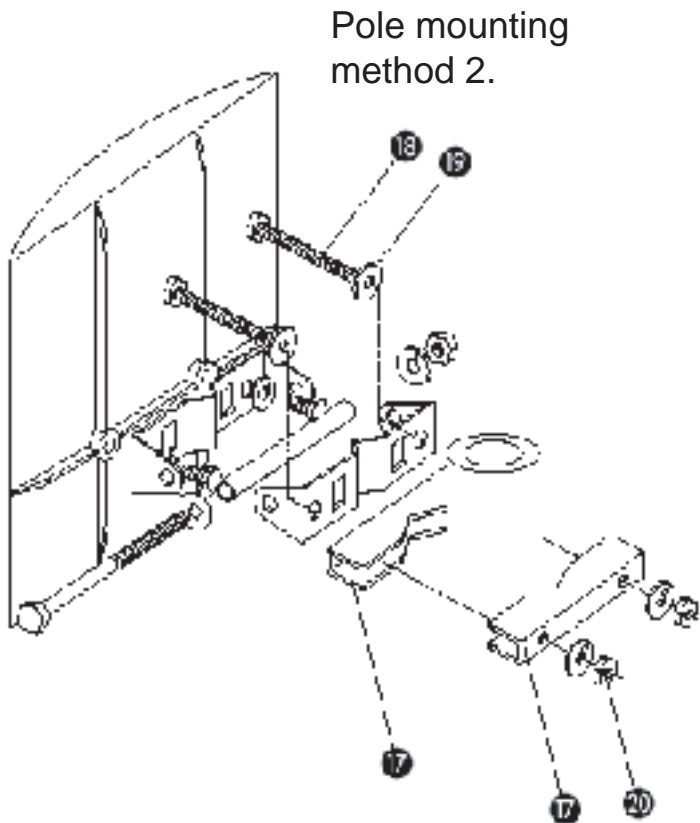
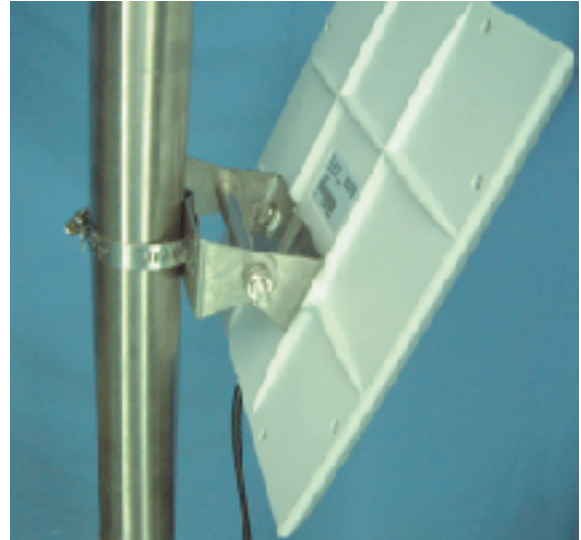
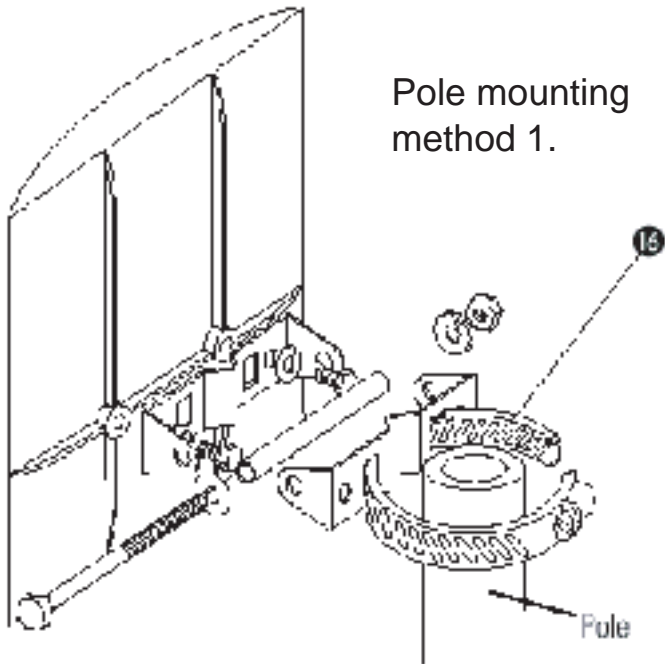
Frequency band	2400-2500 MHz
Antenna gain	14 dBi
VSWR	1.5 max
Polarization	Linear vertical
HPBW / H-plane	30Q
HPBW / E-plane	30°
Impedence	50 Ohms
Dimensions LxWxH	240x240x69 mm
Weight	825g without joint

Package Contents:

- ANT24-1400 Antenna
- Extension Cable (50cm)
- Mounting Kit
- Surge protector
- Water-proof tape
- Quick Installation Guide

9

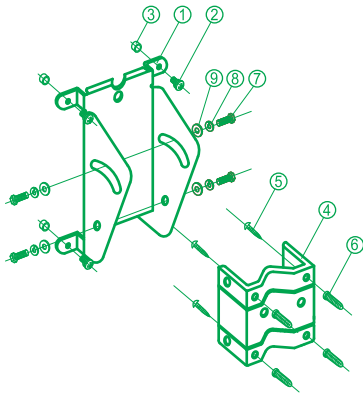
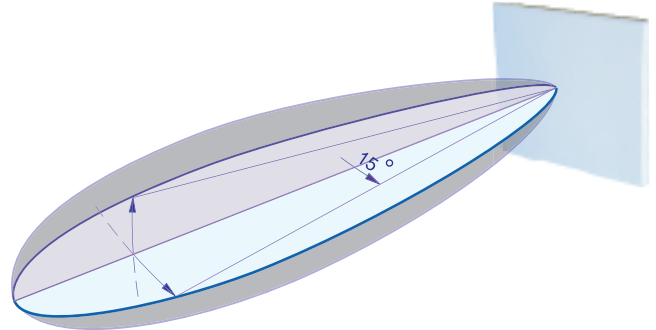
D-Link ANT24-1400 Outdoor Directional Panel Antenna



10

D-Link ANT24-1800 Outdoor Directional Panel Antenna

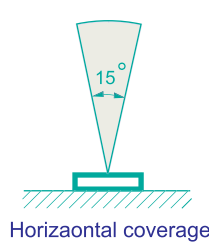
Remove one default antenna from the wireless device and start to assemble!



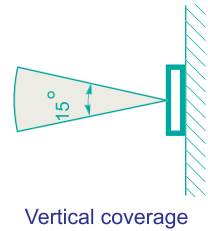
Wall mounting



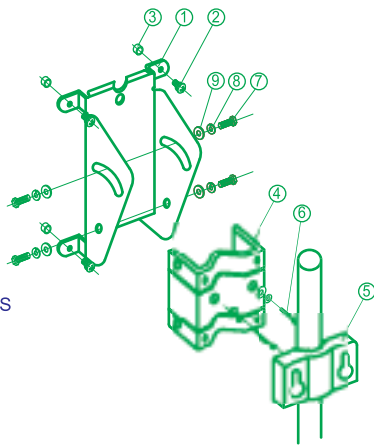
- ① Mounting base - 1 PC
- ② M4*8 screw+W+S/W - 4 PCS
- ③ Space keeper - 4 pcs
- ④ M-shape mounting - 1 pc
- ⑤ 3/4" screw - 4 pcs
- ⑥ Plastic wallplug - 4 pcs
- ⑦ M6*16 screw - 4 pcs
- ⑧ M6 S/W - 4 pcs
- ⑨ M6 W - 4 pcs



Overlook



Pole mounting



- ① Mounting base - 1 PC
- ② M4*8 screw+W+S/W - 4 PCS
- ③ Space keeper - 4 pcs
- ④ M-shape mounting - 1 pc
- ⑤ Pole mount clip - 1 pc
- ⑥ M6*60 screw - 2 pcs
- ⑦ M6*16 screw - 4 pcs
- ⑧ M6 S/W - 4 pcs
- ⑨ M6 W - 4 pcs

Frequency band	2400-2500 MHz
Antenna gain	18 dBi
VSWR	1.5 max
Polarization	Linear vertical
HPBW / H-plane	15°
HPBW / E-plane	15°
Impedance	50 Ohms
Dimensions LxWxH	360x360x16 mm
Weight	1600g without joint

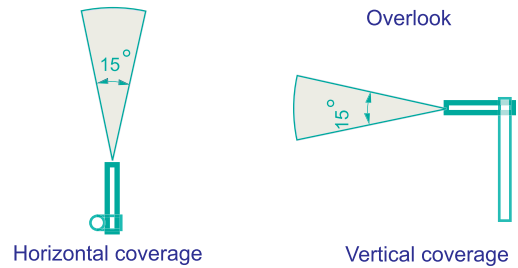
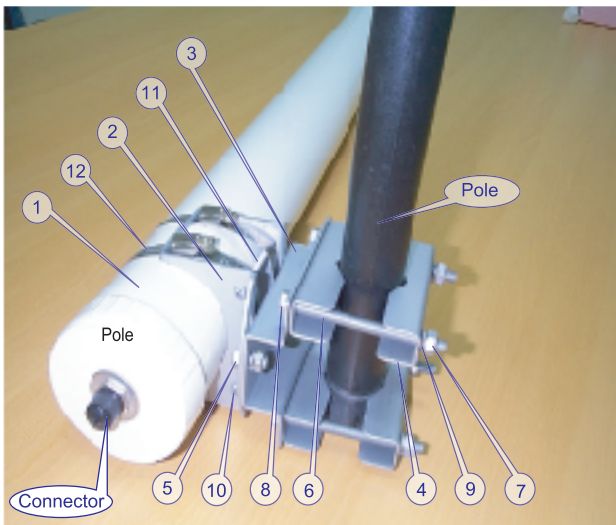
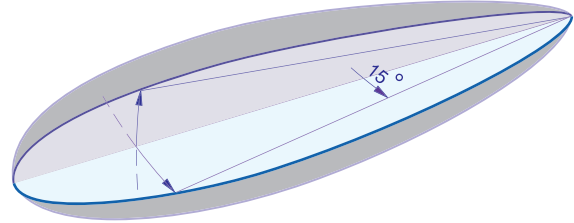
Package Contents:

- ANT24-1800 Antenna
- Extension Cable (50cm)
- Mounting Kit
- Surge protector
- Water-proof tape
- Quick Installation Guide

11

D-Link ANT24-1801 Outdoor Directional Yagi Antenna

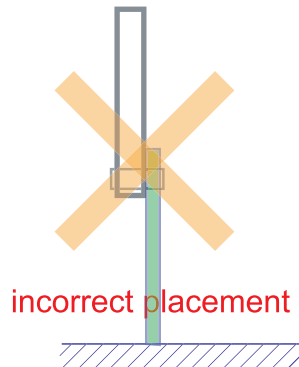
Remove one default antenna from the wireless device and start to assemble!



Frequency band	2400-2500 MHz
Antenna gain	18 dBi
VSWR	1.5 max
Polarization	Linear vertical
HPBW / H-plane	15Q
HPBW / E-plane	15°
Impedence	50 Ohms
Dimensions LxWxH	ø89x1000 mm
Weight	3500g without joint

Installation Note:

1. Main body
2. Angle mounting
3. Mounting bracket
4. 2" pole clamp
5. M8x 20 bolt
6. M8x 110 bolt
7. M8 nut
8. M8 washer
9. M8 spring washer
10. M6-95 screw
11. M6 nut
12. Band clamp



Package Contents:

- ANT24-1801 Antenna
- Extension Cable (50cm)
- Mounting Kit
- Surge protector
- Water-proof tape
- Quick Installation Guide