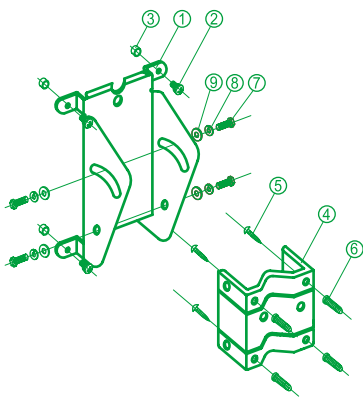
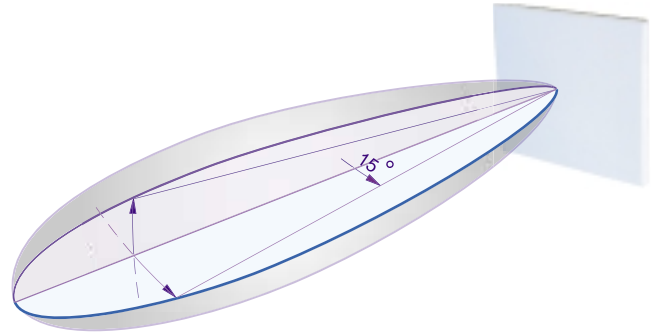


D-Link ANT24-1800 Outdoor Directional Panel Antenna

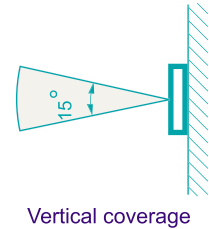
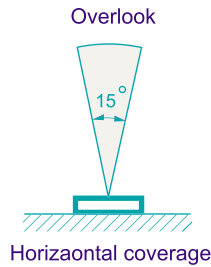
Remove one default antenna from the wireless device and start to assemble!



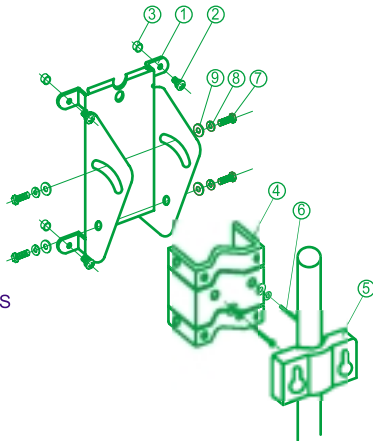
Wall mounting



- ① Mounting base - 1 PC
- ② M4*8 screw+W+S/W - 4 PCS
- ③ Space keeper - 4 pcs
- ④ M-shape mounting - 1 pc
- ⑤ 3/4" screw - 4 pcs
- ⑥ Plastic wallplug - 4 pcs
- ⑦ M6*16 screw - 4 pcs
- ⑧ M6 S/W - 4 pcs
- ⑨ M6 W - 4 pcs



Pole mounting



- ① Mounting base - 1 PC
- ② M4*8 screw+W+S/W - 4 PCS
- ③ Space keeper - 4 pcs
- ④ M-shape mounting - 1 pc
- ⑤ Pole mount clip - 1 pc
- ⑥ M6*60 screw - 2 pcs
- ⑦ M6*16 screw - 4 pcs
- ⑧ M6 S/W - 4 pcs
- ⑨ M6 W - 4 pcs

Frequency band	2400-2500 MHz
Antenna gain	18 dBi
VSWR	1.5 max
Polarization	Linear vertical
HPBW / H-plane	15°
HPBW / E-plane	15°
Impedence	50 Ohms
Dimensions LxWxH	360x360x16 mm
Weight	1600g without joint

Package Contents:

- ANT24-1800 Antenna
- Extension Cable (50cm)
- Mounting Kit
- Surge protector
- Water-proof tape
- Quick Installation Guide