

High Gain Directional Yagi Antenna for 2.4 GHz ISM Band

Version 1.1

ANT24-1801

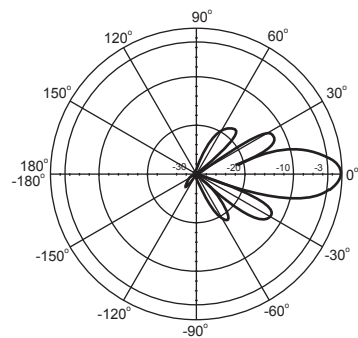
Electrical Specification

Frequency range	2400 MHz - 2700 MHz
Gain	18 dBi
VSWR	1.5 : 1 Max.
Polarization	Linear, vertical
HPBW / horizontal	15°
HPBW / vertical	15°
Front to back ratio	25 dB
Power handling	100 W (cw)
Impedance	50 Ohms
Connector	N female

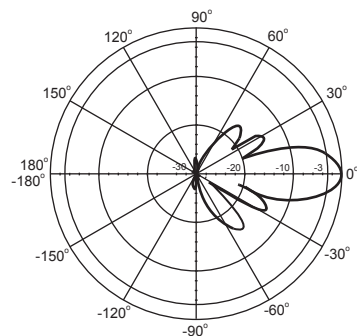


Environmental & Mechanical Characteristics

Survival wind speed	200 km/hr
Temperature	- 40°C to +80°C
Humidity	100% @ 25° C
Lightning protection	DC ground
Radome color	White
Radome material	ABS, UV resistant
Weight	3.5kgw
Dimensions	1000 x Ø89 mm



Vertical



Horizontal

Dimensions (mm)

