



Wireless N 150 Access Point & Router

SEVERAL OPERATION MODES

Access point/router

802.11N

High connection rate
(up to 150Mbps)
and superior wireless range

SECURITY

Multiple firewall functions,
several security standards for
wireless connection

Wireless Interface

Using DAP-1155, you are able to quickly create a wireless network and let your relatives or employees connect to it virtually anywhere (within the operational range of your wireless network). The access point can operate as a base station for connecting wireless devices of the standards 802.11b, 802.11g, and 802.11n (at the rate up to 150Mbps).

The device supports multiple functions for the wireless interface: several security standards (WEP, WPA/WPA2), MAC address filtering, different operation modes (access point, router, client), WPS, WDS, WMM.

Security

In the router mode, the DAP-1155 device includes a built-in firewall. The advanced security functions minimize threats of hacker attacks, prevent unwanted intrusions to your network, and block access to unwanted websites for users of your LAN.

Access Point Mode

You are able to use DAP-1155 switched to the access point mode to create a wireless network or to connect to a wired router.

Router Mode

You are able to connect DAP-1155 switched to the router mode to a cable or DSL modem or to a private Ethernet line and use a high-speed Internet connection to successfully fulfill a wide range of professional tasks.

“Client” Function

The “client” function in the access point mode allows using DAP-1155 as a wireless client and a wireless repeater, in the router mode as a WISP repeater.

Configuration and Management

You can configure and manage the settings of the DAP-1155 device via the user-friendly web-based interface (the interface is available in several languages).

DAP-1155

Specifications

Hardware

WAN Interface:

- 1 10/100BASE-TX Ethernet port for cable or DSL modem or private Ethernet line.

LAN Interface:

- 1 10/100BASE-TX Ethernet port.

WLAN Interface:

- IEEE 802.11n (up to 150Mbps)
- IEEE 802.11b/g.

Software

Operation Modes:

- Access point mode
- Router mode.

Network Functions:

- WAN connection types:
 - PPPoE
 - Static IP
 - Dynamic IP
 - PPTP/L2TP + Static IP
 - PPTP/L2TP + Dynamic IP
- DHCP server and client
- DNS relay
- VPN pass-through (PPTP/L2TP)
- Dynamic DNS
- Static IP routing
- Remote management
- Network statistics for each interface
- IGMP Proxy
- RIP
- UPnP
- WAN ping respond.

Wireless Connection:

- WLAN splitting (up to 4 SSIDs)
- Supported security settings:
 - WEP
 - WPA/WPA2 Personal
- MAC filter
- Managing connected stations
- PIN and PBC methods of WPS
- WMM (Wi-Fi QoS)
- Advanced settings
- WDS
- “Client” function (access point mode):
 - Wireless network client
 - Wireless network repeater
- “Client” function (router mode):
 - WISP repeater.

Wireless N 150 Access Point & Router

Firewall Functions:

- Network Address Translation (NAT)
- Stateful Packet Inspection (SPI)
- IP filters
- URL filter
- MAC filter
- DMZ
- Prevention of ARP and DDoS attacks
- Virtual servers.

Configuration and Management:

- Multilingual web-based interface for configuration and management
- Access via TELNET
- Firmware update via web-based interface
- Saving/restoring configuration to/from file
- Support of remote logging
- Automatic synchronization of system time with NTP server (router mode)
- Ping function
- Traceroute utility (router mode).

Physical and Environmental

LEDs:

- Power
- WLAN
- WPS
- LAN
- Internet.

Power:

- External power adapter DC 12V
- Reset to Factory Defaults button
- WPS button.

Operating Temperature:

- from 0 to 40 °C (from 32 to 104 °F).

Storage Temperature:

- from -20 to 65 °C (from -4 to 149 °F).

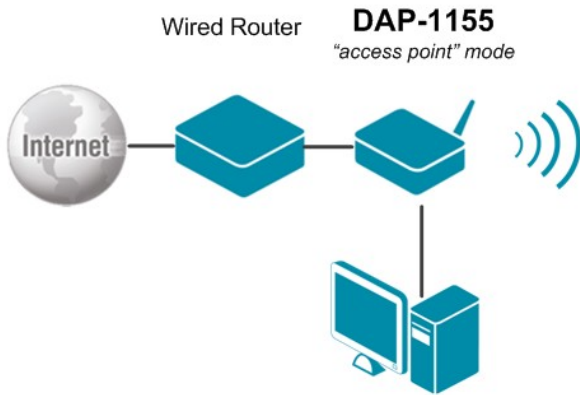
Operating Humidity:

- from 10% to 90% non-condensing.

Storage Humidity:

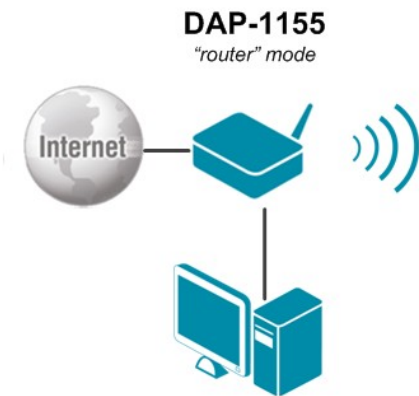
- from 5% to 95% non-condensing.

Access Point



The DAP-1155 device in the “access point” mode is connected to the wired router. Computers connect to DAP-1155 via wireless or wired connection. It is necessary to specify the same encryption parameters and the channel of the wireless network for DAP-1155 and computers with Wi-Fi adapters.

Router

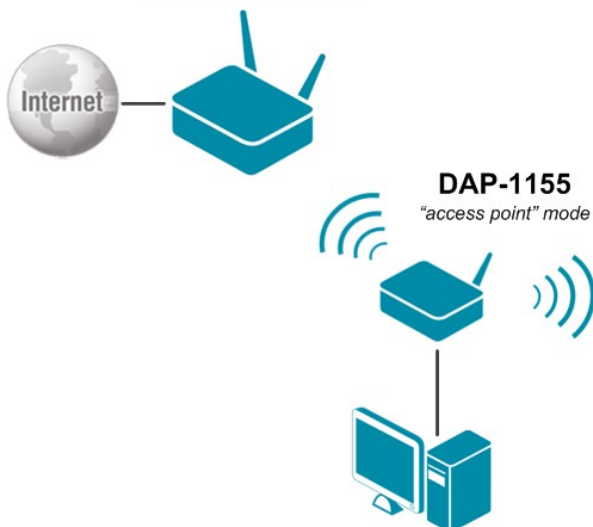


The DAP-1155 device in the “router” mode is connected to a private Ethernet line or to a cable or DSL modem. Computers connect to DAP-1155 via wireless or wired connection. It is necessary to specify the same encryption parameters and the channel of the wireless network for DAP-1155 and computers with Wi-Fi adapters. In addition, it is necessary to configure a WAN connection for DAP-1155.

Client

Wireless Network Client

Wireless Access Point



The DAP-1155 device in the “access point” mode is connected to an access point via wireless connection. Computers connect to DAP-1155 via wireless or wired connection. It is necessary to configure the same channel of the wireless connection for DAP-1155 and the remote access point. Other parameters of the wireless network of DAP-1155 do not depend upon the settings of the remote access point.

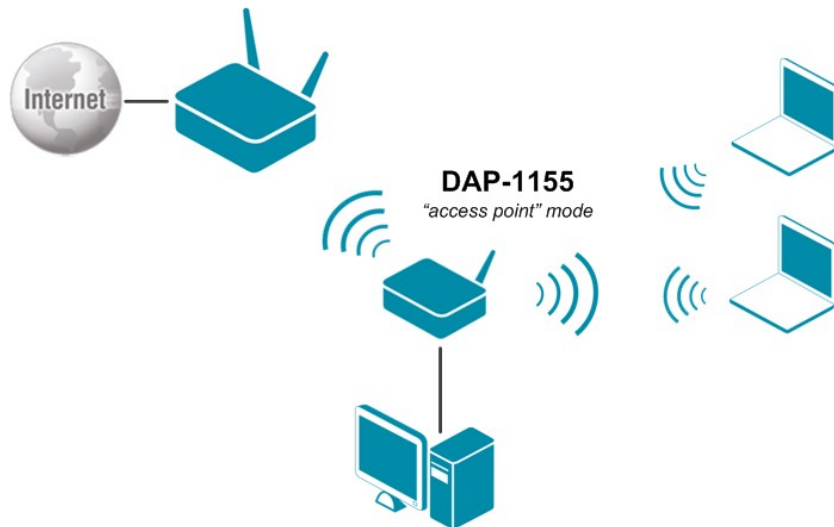
DAP-1155

Operation Modes

Wireless N 150 Access Point & Router

Wireless Network Repeater

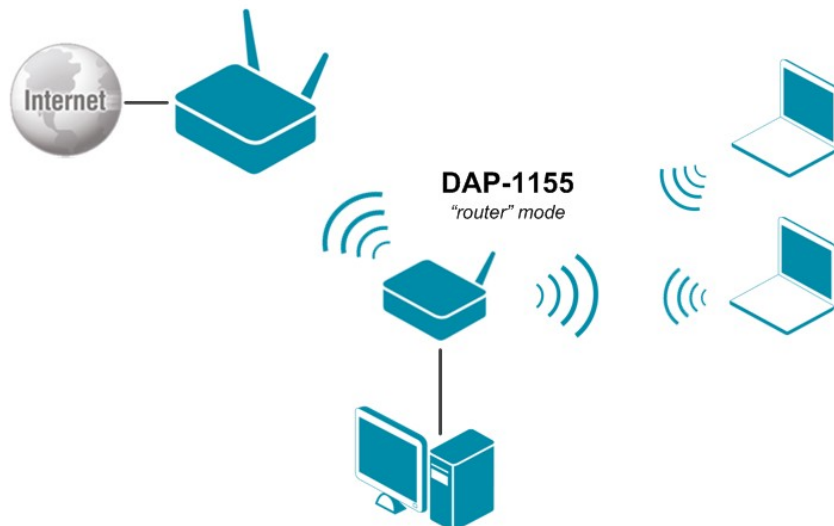
Wireless Access Point



The DAP-1155 device in the "access point" mode is connected to an access point via wireless connection. Computers connect to DAP-1155 via wireless or wired connection. It is necessary to configure the same parameters of the wireless connection (the name of the wireless network, encryption parameters, and the channel) for DAP-1155 and the remote access point.

WISP Repeater

WISP Access Point



The DAP-1155 device in the "router" mode is connected to a WISP access point via wireless connection. Computers connect to DAP-1155 via wireless or wired connection. It is necessary to configure the same channel of the wireless connection for DAP-1155 and the WISP access point. Other parameters of the wireless network of DAP-1155 do not depend upon the settings of the WISP access point. In addition, it is necessary to configure a WAN connection for DAP-1155.

Ordering Information

DAP-1155

Wireless N 150 Access Point & Router

D-Link®

Web:

<http://www.dlink.com/corporate/worldwideoffices/>