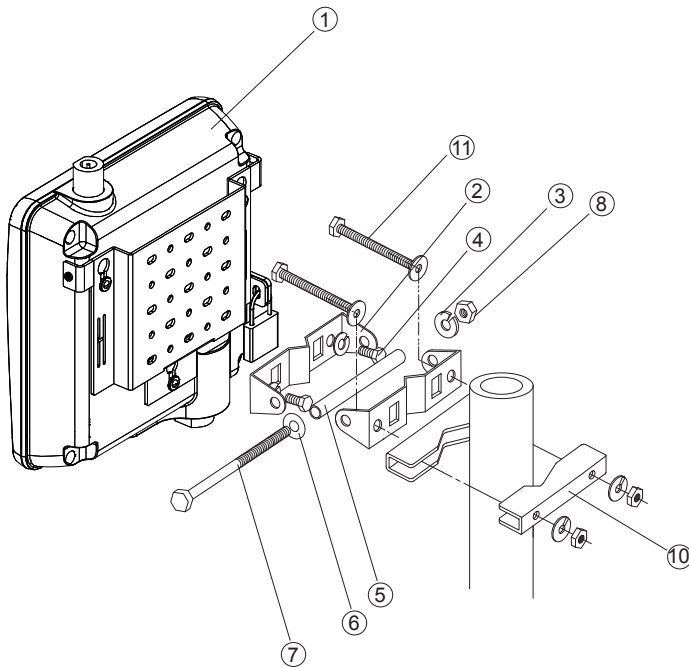
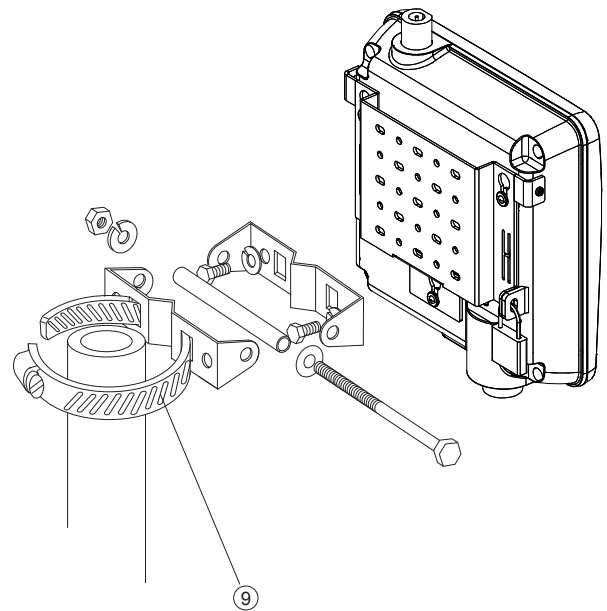


Mounting Configuration



Pole mount
method 1



Pole mount
method 2

1. Body
2. M-type satnd-2pcs
3. M8 spring washer-5pcs
4. M8x12 screw-2pcs
5. Steel tube-1pc
6. M8 washer-3pcs
7. M8x120 screw-1pc
8. M8 nut-3pcs
9. Hose clamp 2-1/2"
10. 2"Pipe luck struck-2pcs
11. M8-110 screw-2pcs